



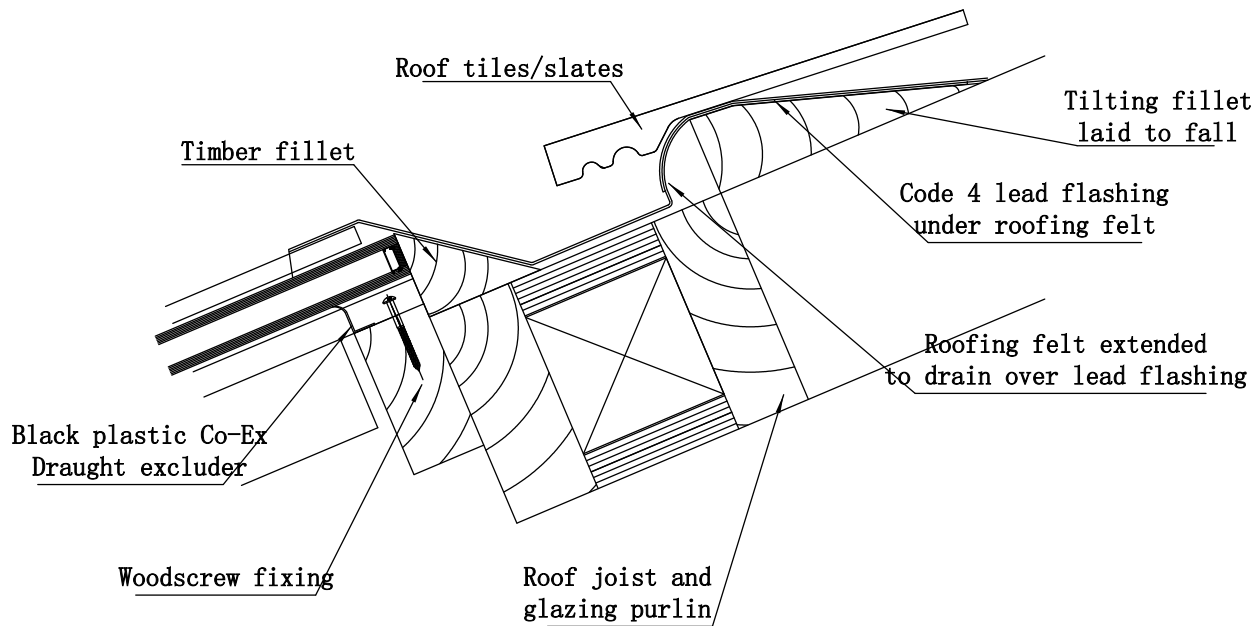
LONSDALE METAL Co. LTD

London N17 9QU
 TEL: 020 8801 4221 FAX: 020 8801 1287
 Email: info@lonsdalemetal.co.uk
 www.lonsdalemetal.co.uk

DRAWING TITLE:

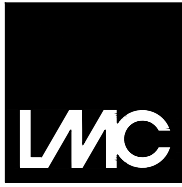
**VERTICAL SECTION THROUGH
 ROOFLIGHT PERIMETER TOP DETAIL**

SCALE: 1:5 AT A4



Minimum
 pitch
 required 20°

PROJECT:	REV	DATE		DRAWN	VM
TECHNICAL CATALOGUE DETAIL THERMGARD				DATE	11/2020
				DRG. No.	THE 38-TRIL



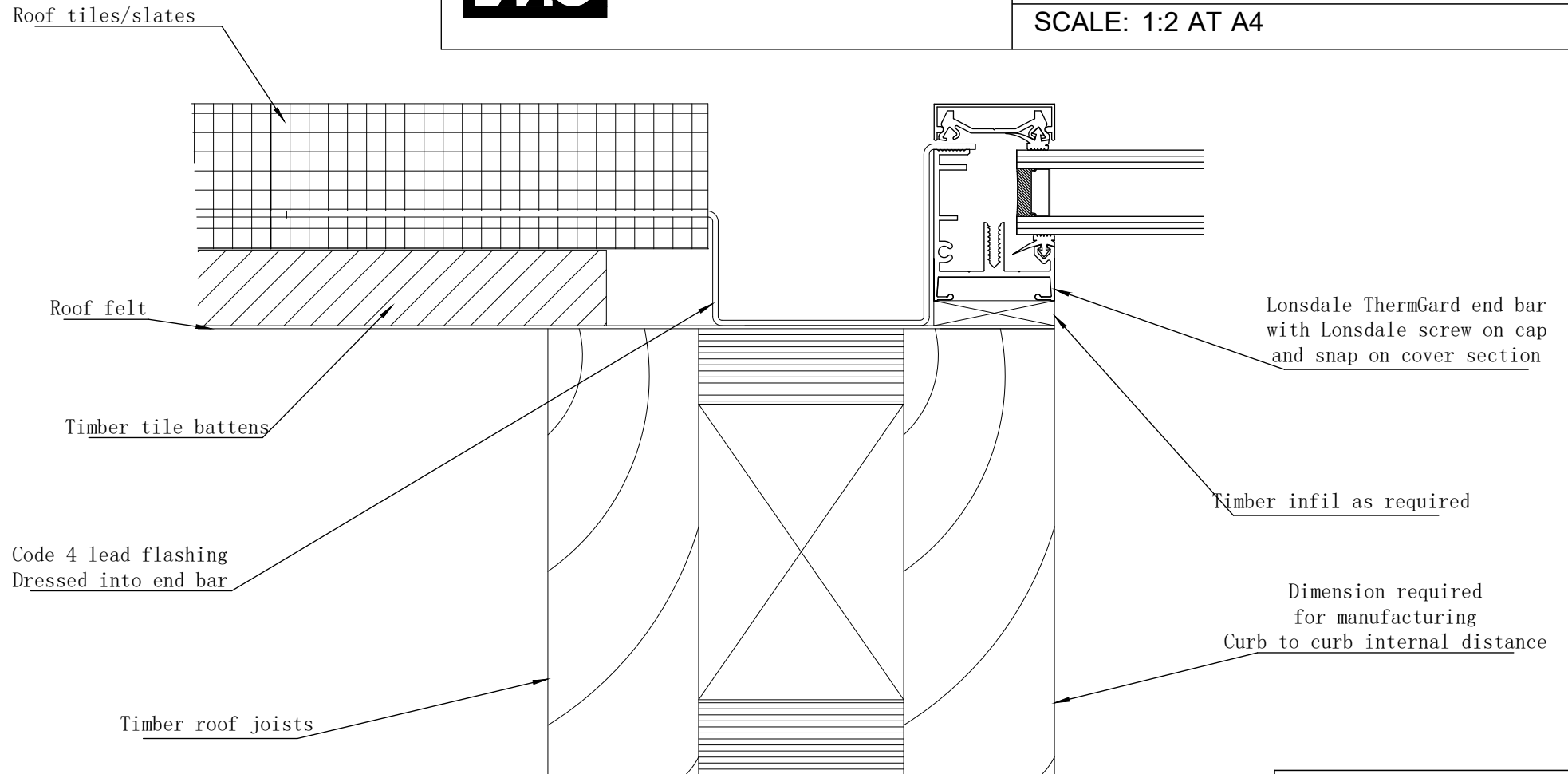
LONSDALE METAL Co. LTD

London N17 9QU
 TEL: 020 8801 4221 FAX: 020 8801 1287
 Email: info@lonsdalemetal.co.uk
 www.lonsdalemetal.co.uk

DRAWING TITLE:

**VERTICAL SECTION THROUGH
 ROOFLIGHT PERIMETER JAMB DETAIL**

SCALE: 1:2 AT A4



Minimum pitch
required 20°

PROJECT:

TECHNICAL CATALOGUE DETAIL
 THERMGARD

REV	DATE

APPROVAL

DRAWN

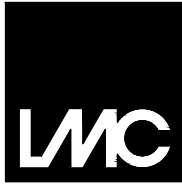
VM

DATE

07/2017

DRG. No.

THE 39-TRIL



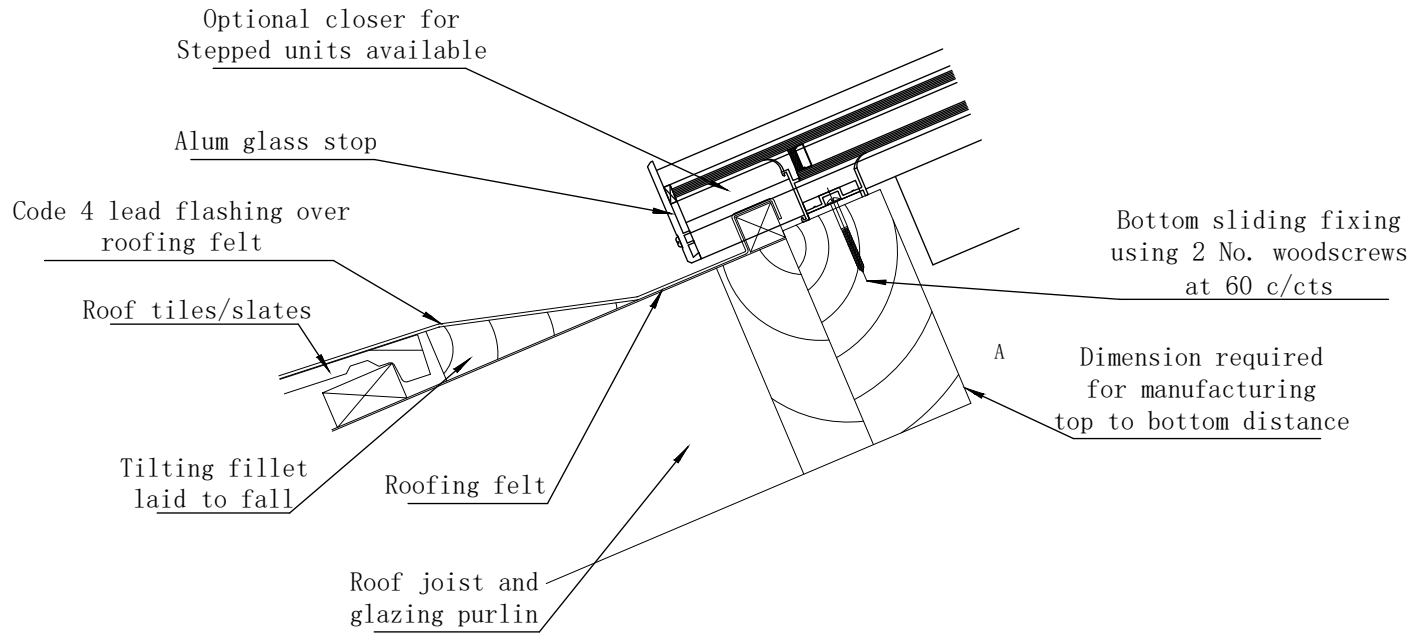
LONSDALE METAL Co. LTD

London N17 9QU
 TEL: 020 8801 4221 FAX: 020 8801 1287
 Email: info@lonsdalemetal.co.uk
 www.lonsdalemetal.co.uk

DRAWING TITLE:

**VERTICAL SECTION THROUGH
 ROOFLIGHT PERIMETER BOTTOM DETAIL**

SCALE: 1:5 AT A4



Minimum
 pitch
 required 20°

PROJECT:			APPROVAL	
			DRAWN	VM
TECHNICAL CATALOGUE DETAIL THERMGARD			DATE	07/2017
			DRG. No.	THE 37-TRIL
REV	DATE			