



LONSDALE METAL Co. LTD

London N17 9QU

TEL: 020 8801 4221 FAX: 020 8801 1287

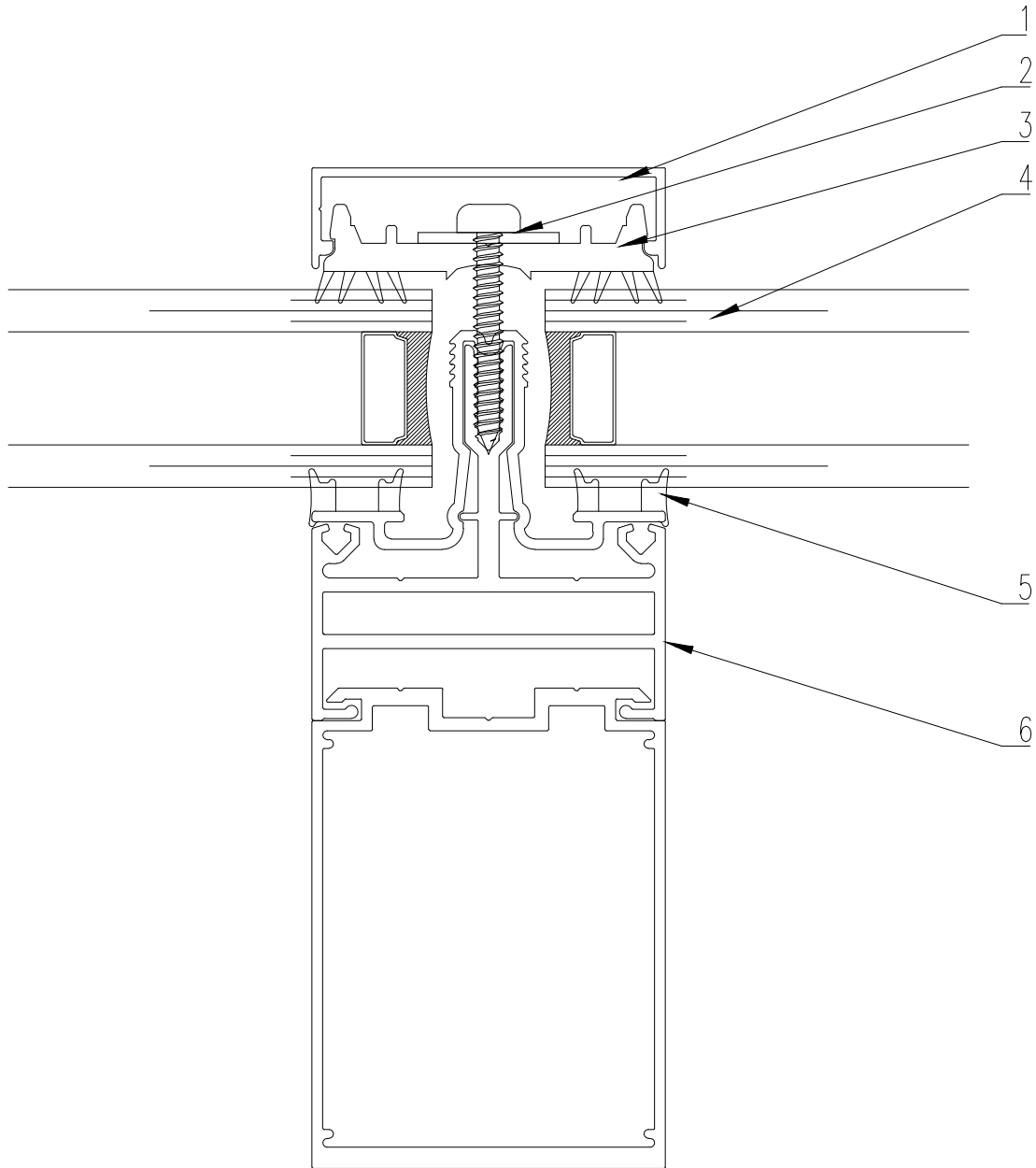
Email: info@lonsdalemetal.co.uk

www.lonsdalemetal.co.uk

DRAWING TITLE:

THERMGARD 50 BOX BAR 2

SCALE: 1:1 AT A4



1 - Aluminium snap-on cover

2 - Stainless steel self-tapping screw

3 - Black Co-extruded PVC pressure plate

4 - 28mm Insulated glazing unit

5 - Black PVC Co-extruded thermal liner

6 - Aluminium carrier rail and box section

PROJECT:

TECHNICAL CATALOGUE DETAIL
THERMGARD 50

REV	DATE

DRAWN

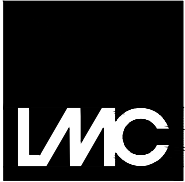
VM

DATE

04/2018

DRG. No.

TG-B2DG



LONSDALE METAL Co. LTD

London N17 9QU

TEL: 020 8801 4221 FAX: 020 8801 1287

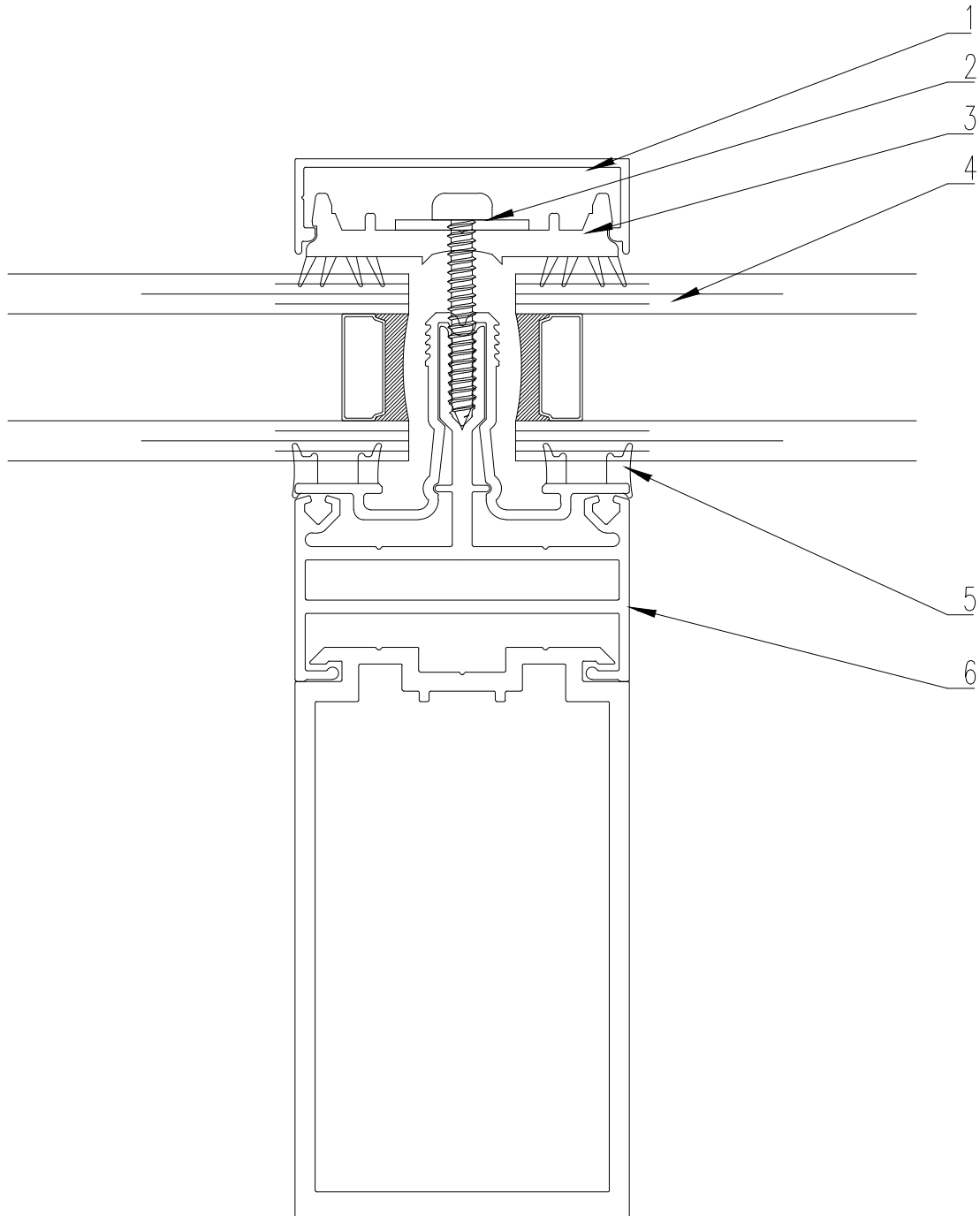
Email: info@lonsdalemetal.co.uk

www.lonsdalemetal.co.uk

DRAWING TITLE:

THERMGARD 50 BOX BAR 3

SCALE: 1:1 AT A4



1 - Aluminium snap-on cover

2 - Stainless steel self-tapping screw

3 - Black Co-extruded PVC pressure plate

4 - 28mm Insulated glazing unit

5 - Black PVC Co-extruded thermal liner

6 - Aluminium carrier rail and box section

PROJECT:

TECHNICAL CATALOGUE DETAIL
THERMGARD 50

REV

DATE

DRAWN

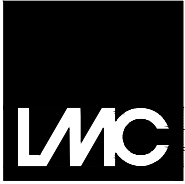
VM

DATE

04/2018

DRG. No.

TG-B3DG



LONSDALE METAL Co. LTD

London N17 9QU

TEL: 020 8801 4221 FAX: 020 8801 1287

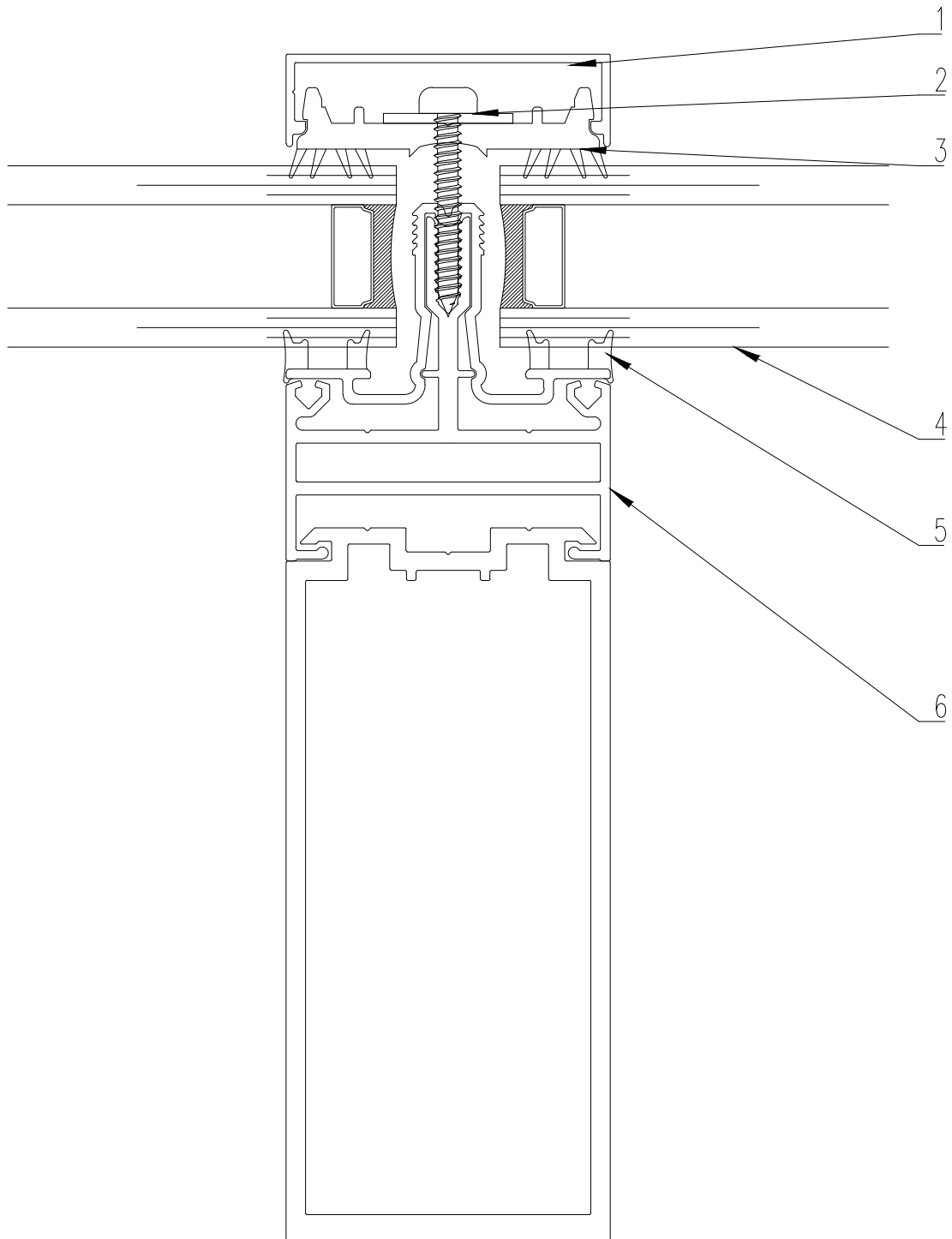
Email: info@lonsdalemetal.co.uk

www.lonsdalemetal.co.uk

DRAWING TITLE:

THERMGARD 50 BOX BAR 4

SCALE: 1:1 AT A4



1 - Aluminium snap-on cover

2 - Stainless steel self-tapping screw

3 - Black Co-extruded PVC pressure plate

4 - 28mm Insulated glazing unit

5 - Black PVC Co-extruded thermal liner

6 - Aluminium carrier rail and box section

PROJECT:

TECHNICAL CATALOGUE DETAIL
THERMGARD 50

REV

DATE

DRAWN

VM

DATE

04/2018

DRG. No.

TG-B4DG