



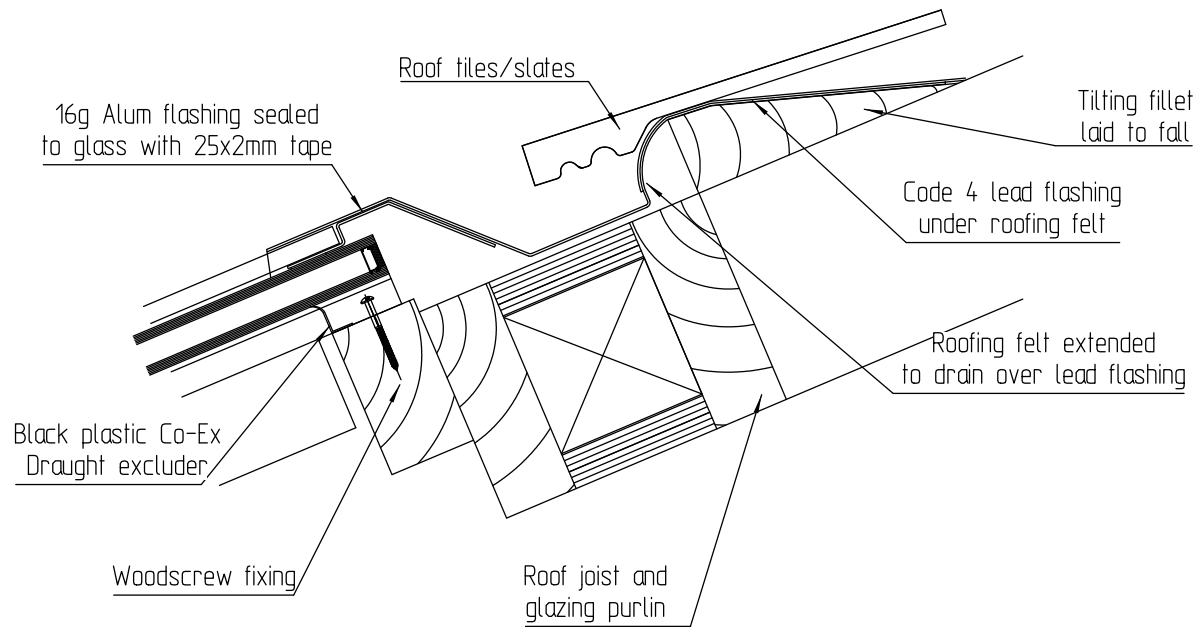
LONSDALE METAL Co. LTD

London N17 9QU
 TEL: 020 8801 4221 FAX: 020 8801 1287
 Email: info@lonsdalemetal.co.uk
 www.lonsdalemetal.co.uk

DRAWING TITLE:

**VERTICAL SECTION THROUGH
 ROOFLIGHT PERIMETER TOP DETAIL**

SCALE: 1:5 AT A4



Minimum pitch
 required 20°

PROJECT:			APPROVAL	
			DRAWN	VM
TECHNICAL CATALOGUE DETAIL THERMGARD			DATE	07/2017
			DRG. No.	THE 38-TRIL
REV	DATE			



LONSDALE METAL Co. LTD

London N17 9QU
 TEL: 020 8801 4221 FAX: 020 8801 1287
 Email: info@lonsdalemetal.co.uk
 www.lonsdalemetal.co.uk

DRAWING TITLE:

**VERTICAL SECTION THROUGH
 ROOFLIGHT PERIMETER JAMB DETAIL**

SCALE: 1:2 AT A4

Roof tiles/slates

Roof felt

Timber tile battens

Code 4 lead flashing
 Dressed into end bar

Timber roof joists

Lonsdale ThermGard end bar
 with Lonsdale screw on cap
 and snap on cover section

Timber infill as required

Dimension required
 for manufacturing
 Curb to curb internal distance

Minimum pitch
 required 20°

PROJECT: TECHNICAL CATALOGUE DETAIL THERMGARD	REV	DATE	APPROVAL DRAWN VM DATE 07/2017 DRG. No. THE 39-TRIL	

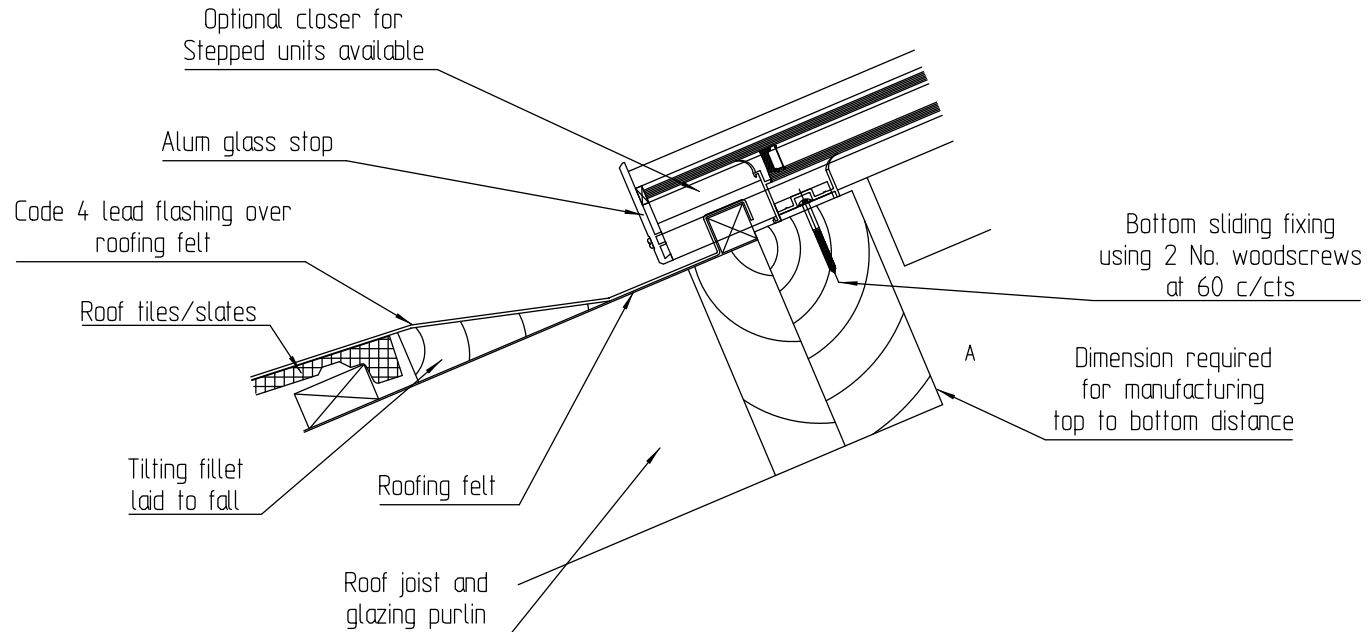


LONSDALE METAL Co. LTD

London N17 9QU
 TEL: 020 8801 4221 FAX: 020 8801 1287
 Email: info@lonsdalemetal.co.uk
 www.lonsdalemetal.co.uk

DRAWING TITLE:
VERTICAL SECTION THROUGH
ROOFLIGHT PERIMETER BOTTOM DETAIL

SCALE: 1:5 AT A4



Minimum pitch
 required 20°

			APPROVAL	
PROJECT:	REV	DATE	DRAWN	VM
TECHNICAL CATALOGUE DETAIL			DATE	07/2017
THERMGARD			DRG. No.	THE 37-TRIL