

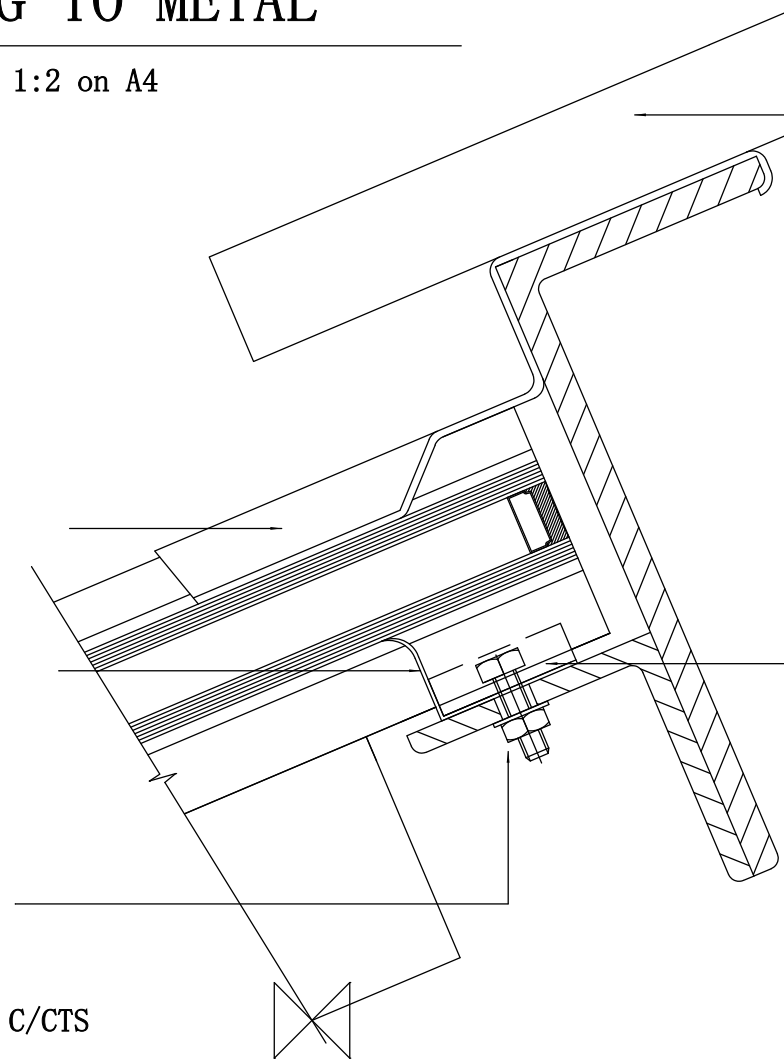
TOP FIXING TO METAL

SCALE 1:2 on A4

LEAD FLASHING DRESSED
ON TO GLASS

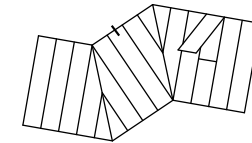
BLACK CO-EX DRAUGHT
EXCLUDER

TOP FIXING TO METAL
IF USING RHS MEMBER
USE 2 No. M6 TAPPED OR
2 No. TEK FIXINGS AT 60 C/CTS
ABOUT C/L OF BAR



CLADDING

Application



POSITIVE TOP FIXING SHOE
RIVETTED TO LONSDALE BAR,
COMPLETE WITH STAINLESS
STEEL M8 SINGLE BOLT FIXING
ISOLATE DIS-SIMILAR METALS