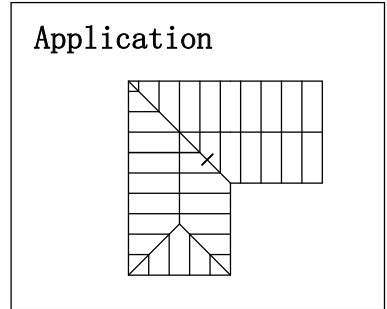


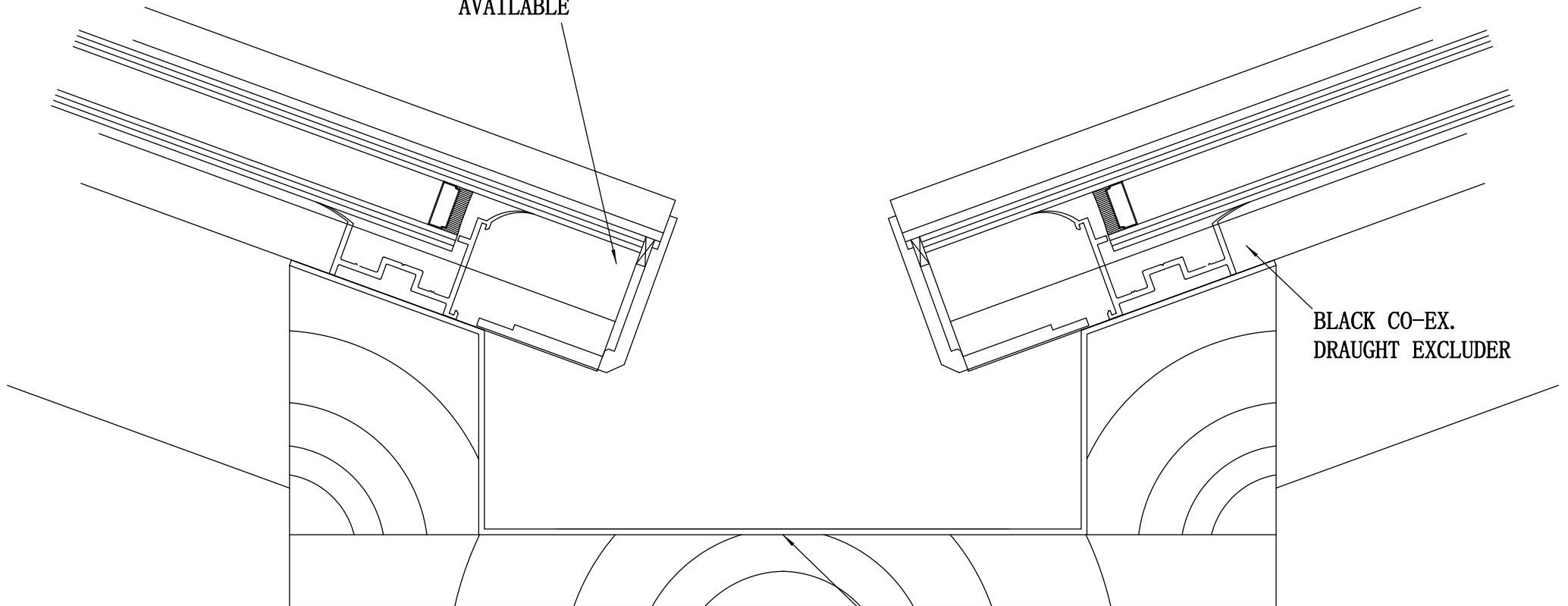
# THERMGARD CONSERVATORY ROOF VALLEY GUTTER DETAIL TIMBER LEAD-LINED

## WF07

SCALE 1:2 on A4



OPTIONAL CLOSER FOR  
STEPPED UNITS IS  
AVAILABLE



BLACK CO-EX.  
DRAUGHT EXCLUDER

LEAD LINED GUTTER