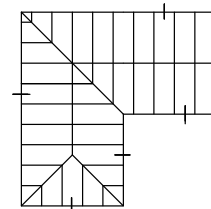


THERMGARD CONSERVATORY EAVES PERIMETER DETAIL WF05

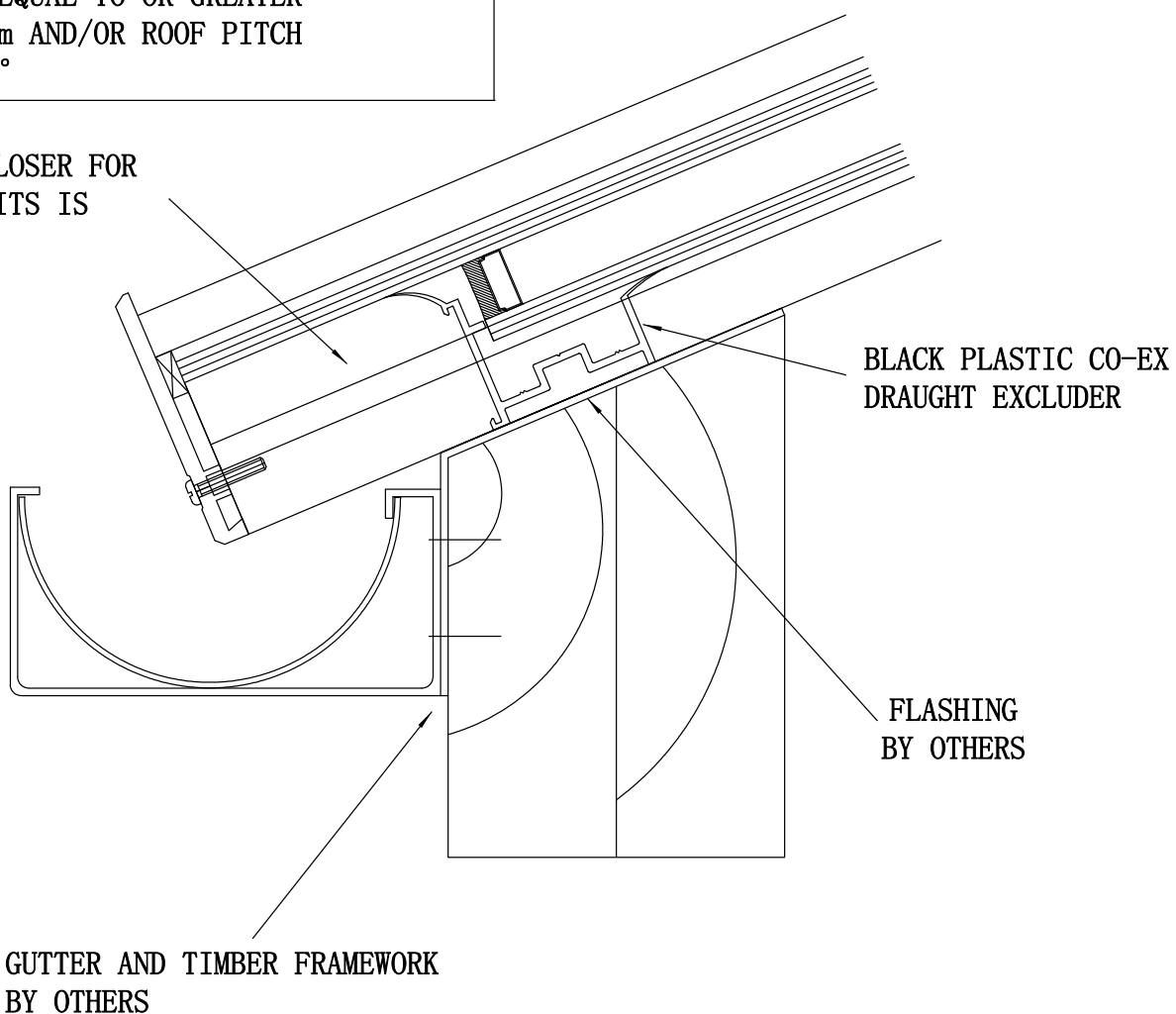
SCALE 1:2 on A4

Application



STANDARD GLASS STOP FIXED TO
BOTTOM OF BAR. NOTE:HEAVY DUTY
STOPS ARE REQUIRED WHERE BAR
LENGTH IS EQUAL TO OR GREATER
THAN 3000mm AND/OR ROOF PITCH
EXCEEDS 35°

OPTIONAL CLOSER FOR
STEPPED UNITS IS
AVAILABLE



GUTTER AND TIMBER FRAMEWORK
BY OTHERS