

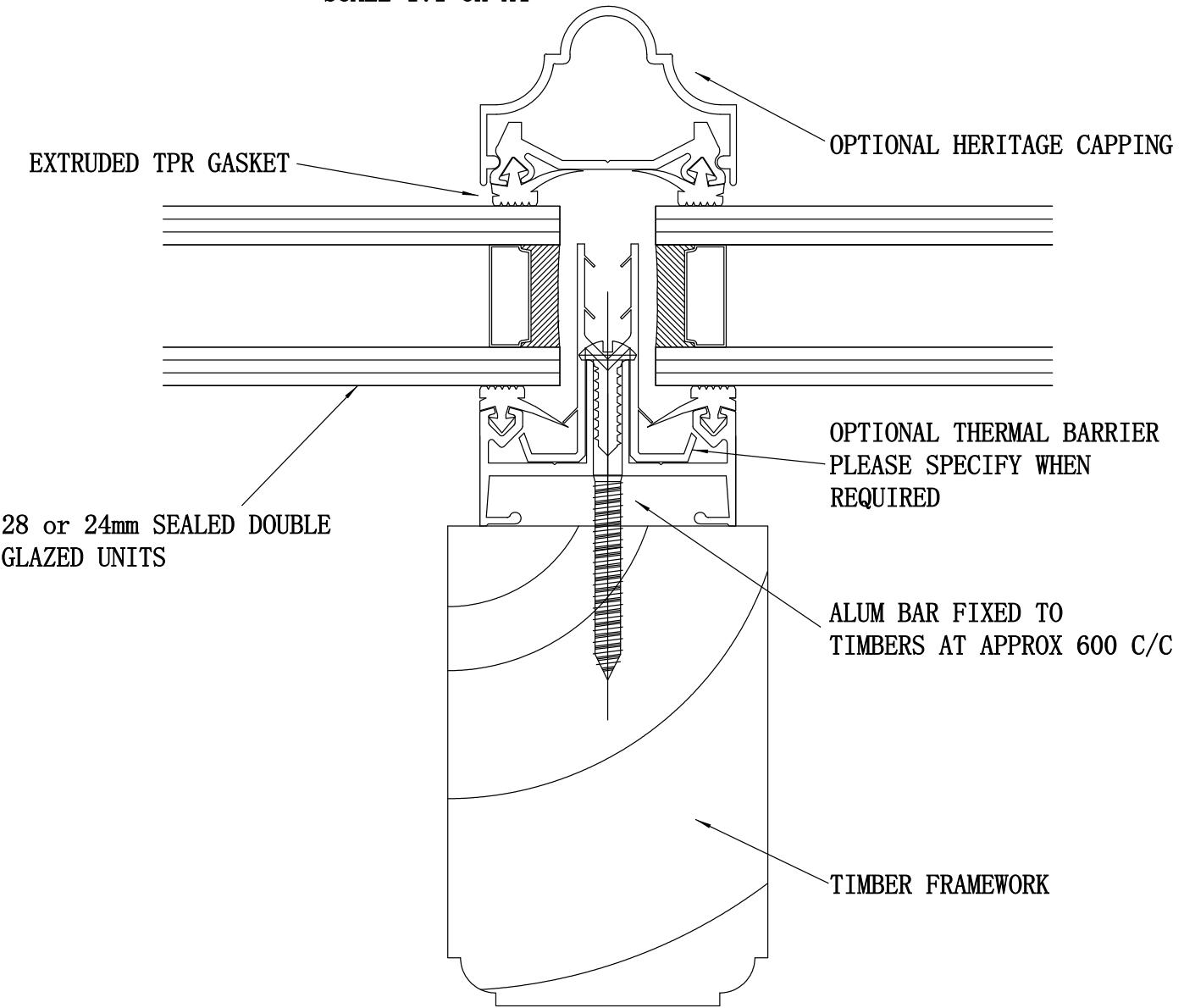
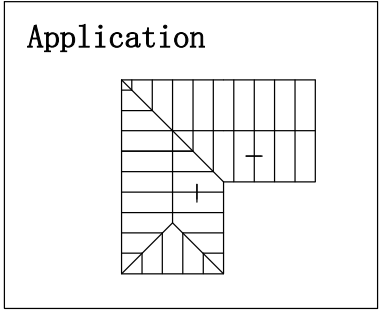
# THERMGARD CONSERVATORY

## TYPICAL INTERMEDIATE BAR DETAIL

### ALM/HCFW PROFILE

### WF02

SCALE 1:1 on A4



**HARDWOOD CONSERVATORIES**

THE ALM/HCFW PROFILE PROVIDES THE BENEFITS OF HIGH PERFORMANCE WEATHERING AND MAINTENANCE FREE ROOFS TO ANY CONSERVATORY, SHIELDING THE TIMBER STRUCTURE FROM THE ELEMENTS