

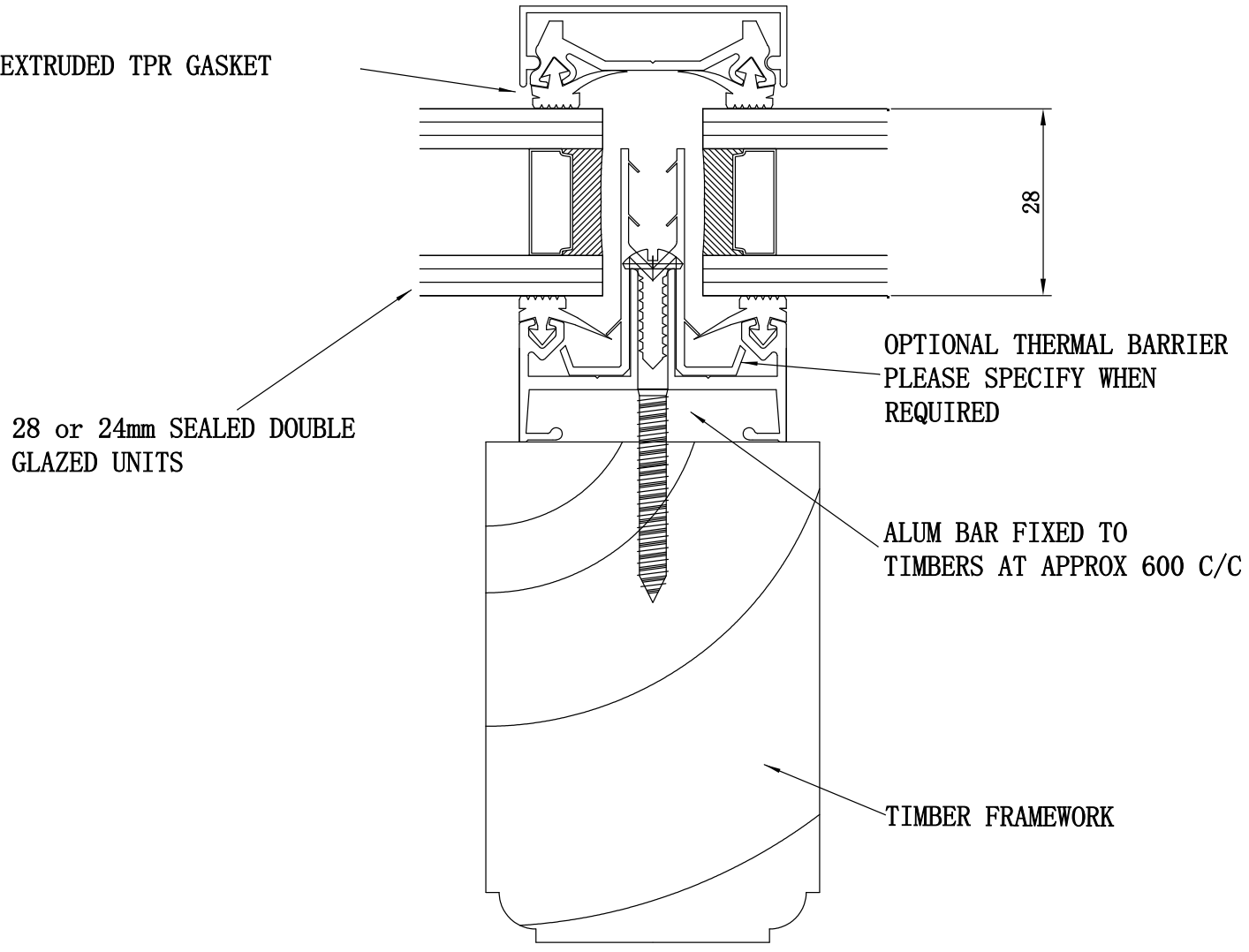
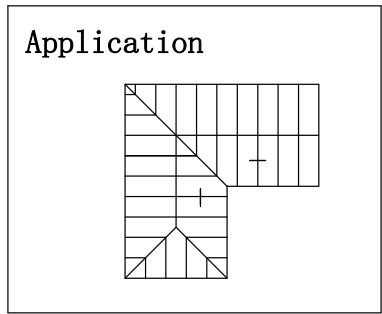
THERMGARD CONSERVATORY

TYPICAL INTERMEDIATE BAR DETAIL

ALM100/WF PROFILE

WF01

SCALE 1:1 on A4



HARDWOOD CONSERVATORIES

THE ALM100/WF PROFILE PROVIDES THE BENEFITS OF HIGH PERFORMANCE WEATHERING AND MAINTENANCE FREE ROOFS TO ANY CONSERVATORY, SHIELDING THE TIMBER STRUCTURE FROM THE ELEMENTS