

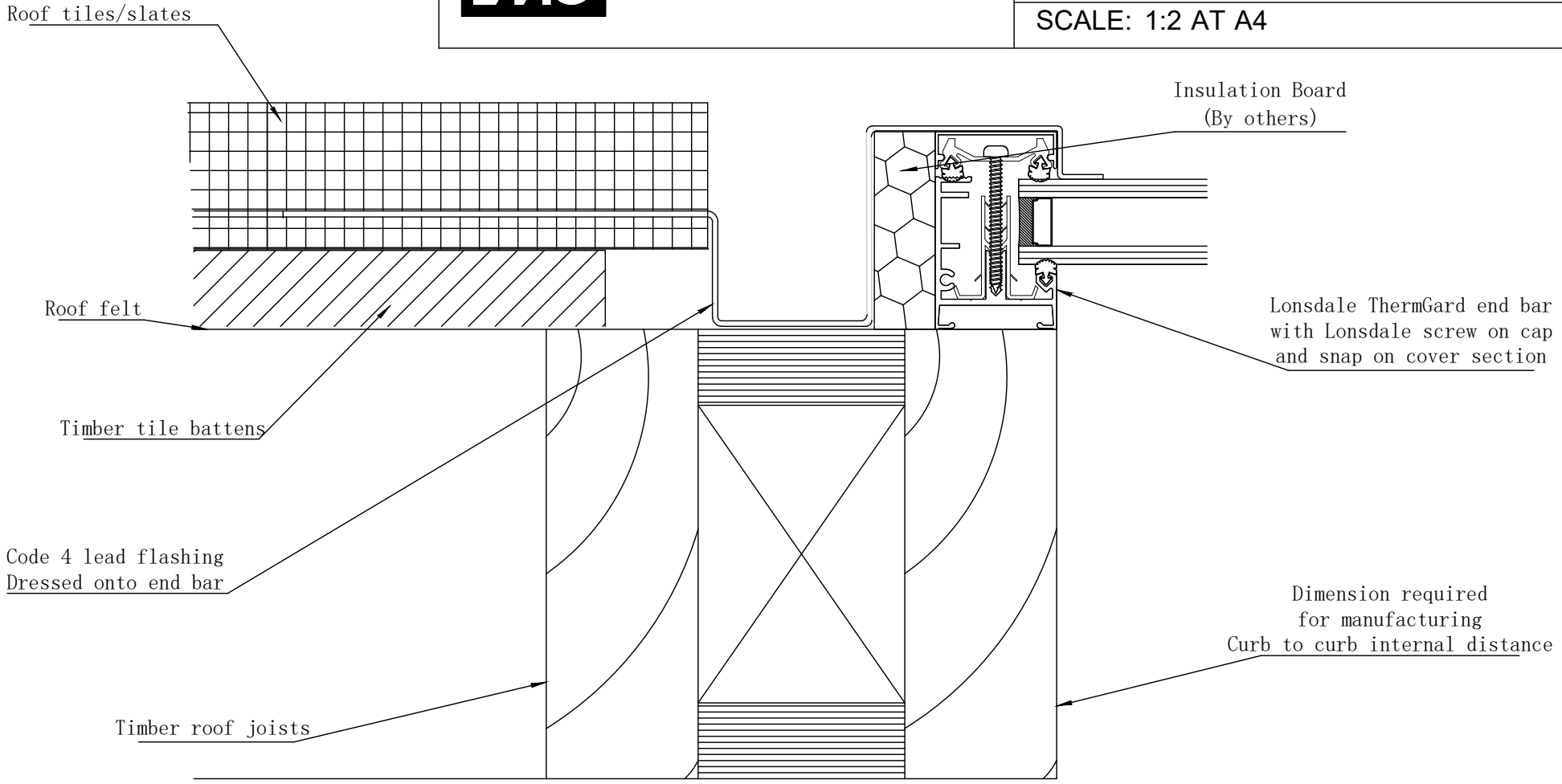


LONSDALE METAL Co. LTD

London N17 9QU
 TEL: 020 8801 4221 FAX: 020 8801 1287
 Email: info@lonsdalemetal.co.uk
 www.lonsdalemetal.co.uk

DRAWING TITLE:
VERTICAL SECTION THROUGH
ROOFLIGHT PERIMETER JAMB DETAIL

SCALE: 1:2 AT A4



Minimum pitch
 required 20°

PROJECT: TECHNICAL CATALOGUE DETAIL THERMGARD	REV	DATE	DRAWN	VM
			DATE	01/2024
			DRG. No.	THE 39-TRIL



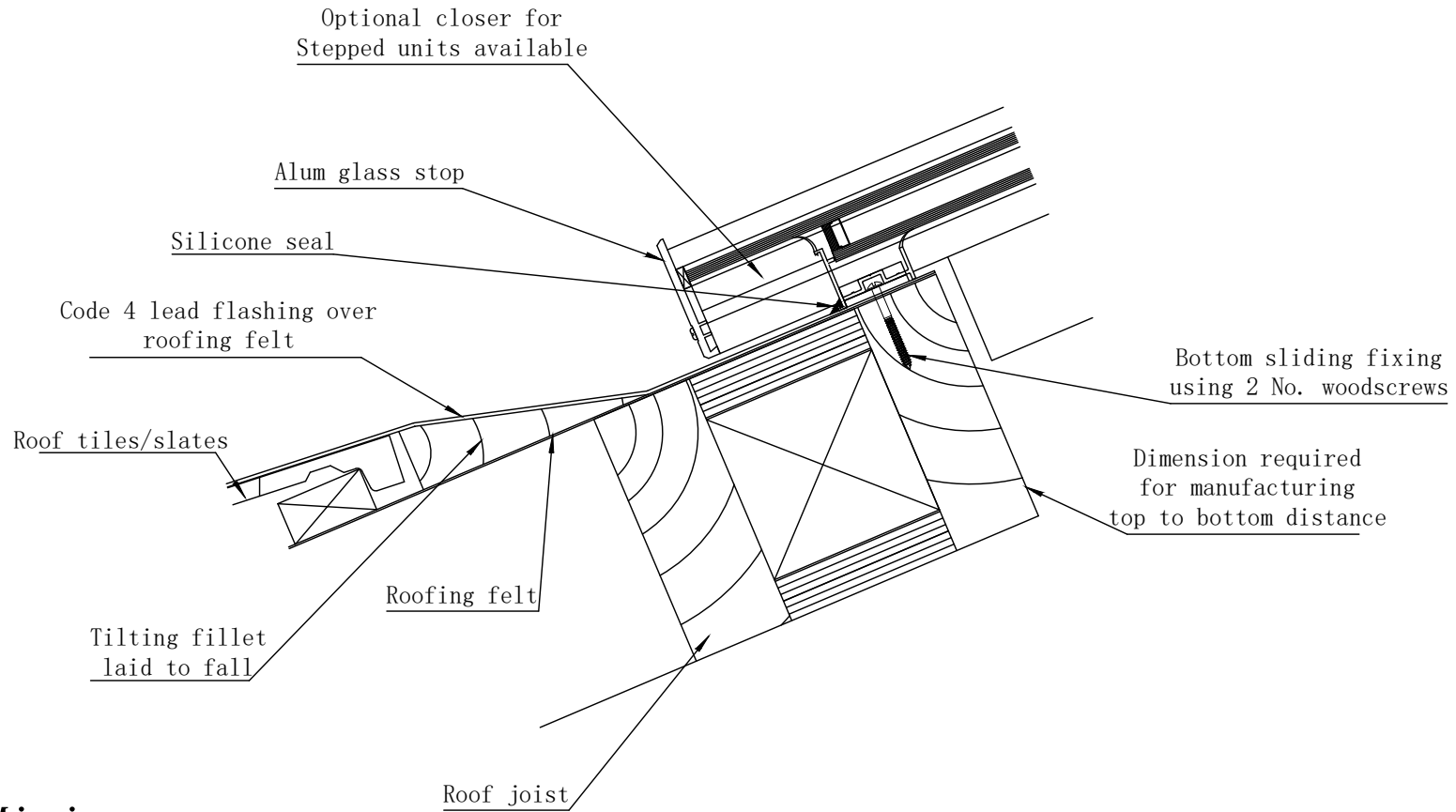
LONSDALE METAL Co. LTD

London N17 9QU
 TEL: 020 8801 4221 FAX: 020 8801 1287
 Email: info@lonsdalemetal.co.uk
 www.lonsdalemetal.co.uk

DRAWING TITLE:

**VERTICAL SECTION THROUGH
 ROOFLIGHT PERIMETER BOTTOM DETAIL**

SCALE: 1:4 AT A4



Minimum
 pitch
 required 20°

PROJECT:	REV	DATE		DRAWN	VM
TECHNICAL CATALOGUE DETAIL THERMGARD				DATE	01/2024
				DRG. No.	THE 37-TRIL



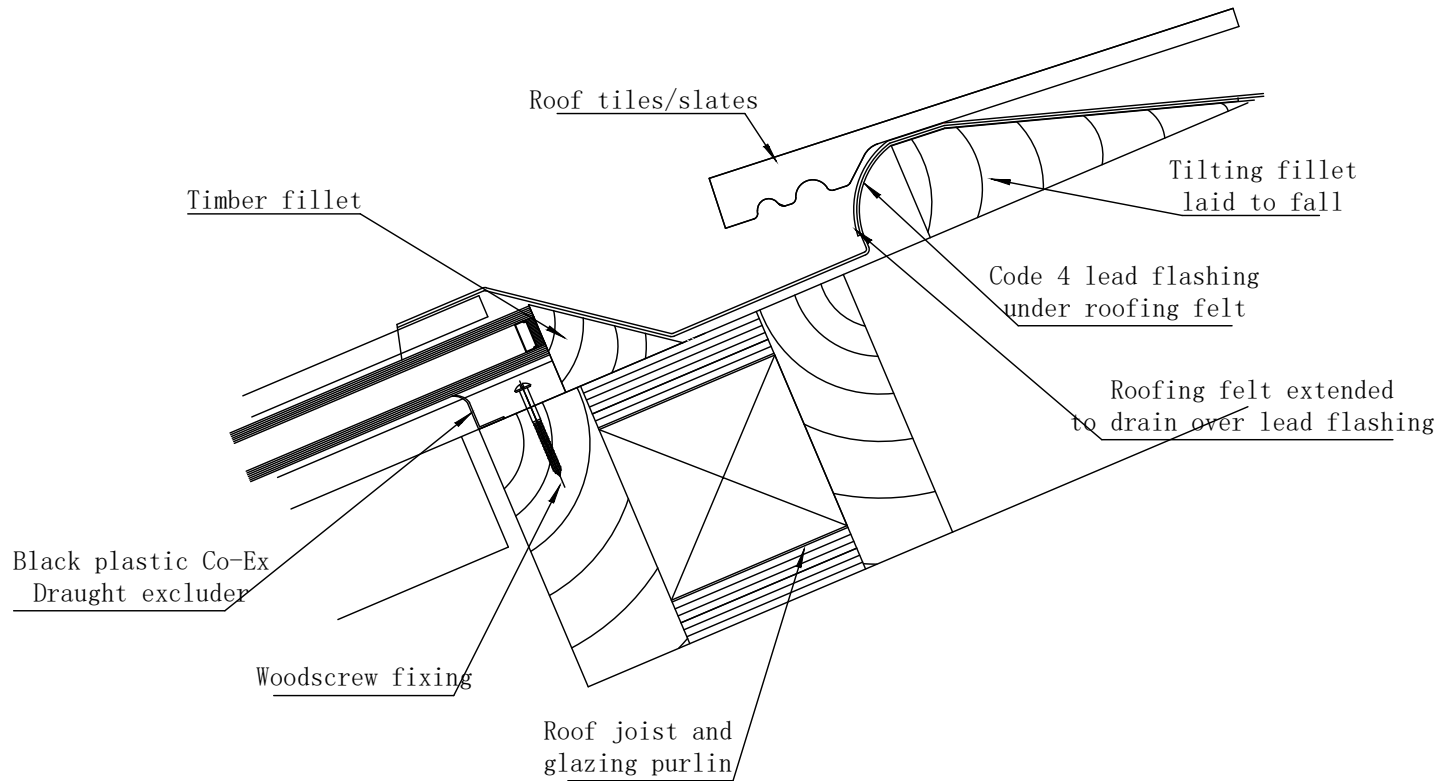
LONSDALE METAL Co. LTD

London N17 9QU
TEL: 020 8801 4221 FAX: 020 8801 1287
Email: info@lonsdalemetal.co.uk
www.lonsdalemetal.co.uk

DRAWING TITLE:

VERTICAL SECTION THROUGH
ROOFLIGHT PERIMETER TOP DETAIL

SCALE: 1:4 AT A4



Minimum
pitch
required 20°

PROJECT:	REV	DATE		DRAWN	VM
TECHNICAL CATALOGUE DETAIL THERMGARD				DATE	01/2024
				DRG. No.	THE 38a-TRIL



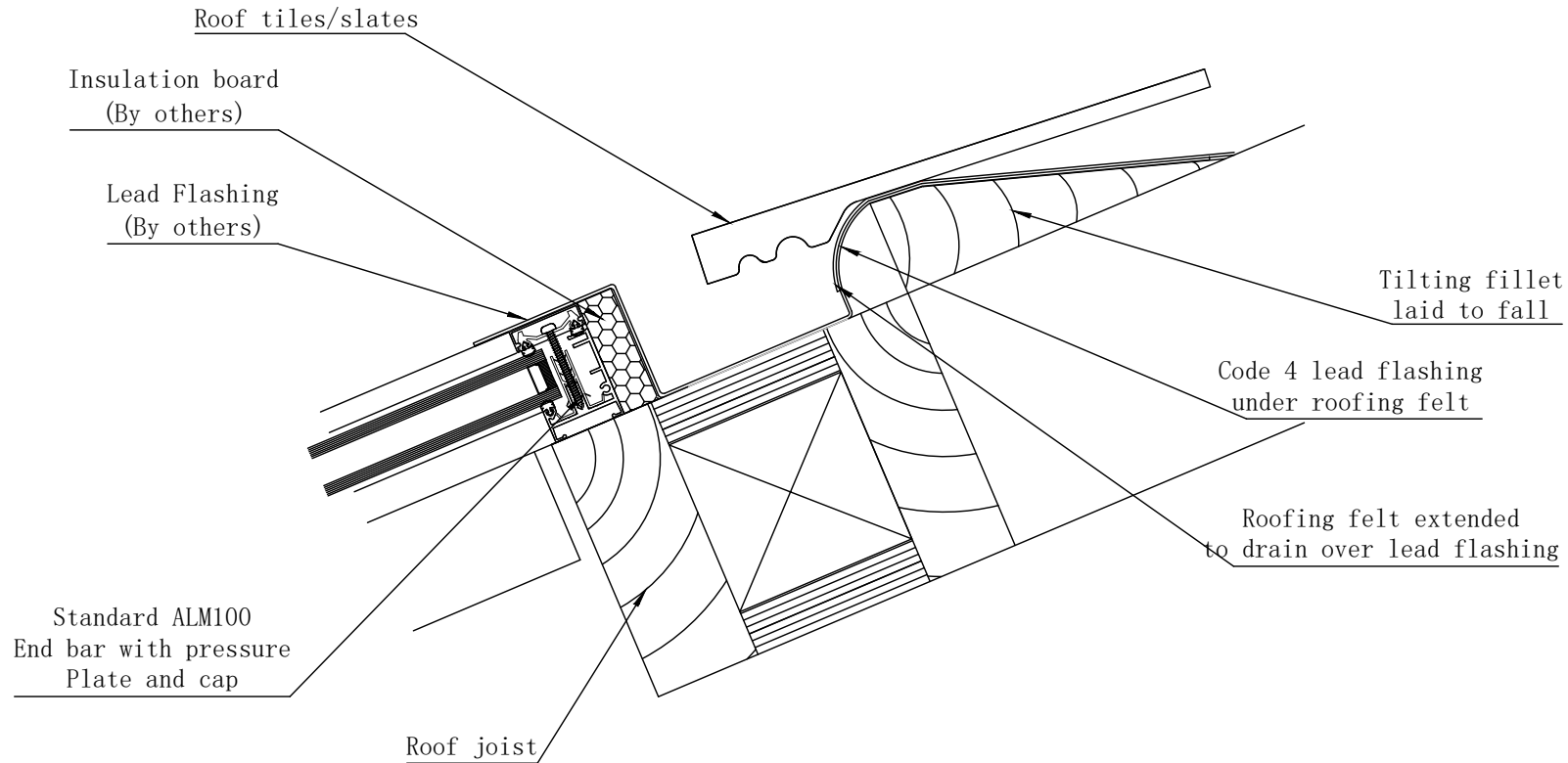
LONSDALE METAL Co. LTD

London N17 9QU
 TEL: 020 8801 4221 FAX: 020 8801 1287
 Email: info@lonsdalemetal.co.uk
 www.lonsdalemetal.co.uk

DRAWING TITLE:

**VERTICAL SECTION THROUGH
 ROOFLIGHT PERIMETER TOP DETAIL**

SCALE: 1:4 AT A4



Minimum
 pitch
 required 20°

PROJECT:	REV	DATE		DRAWN	VM
				DATE	01/2024
TECHNICAL CATALOGUE DETAIL THERMGARD				DRG. No.	THE 38-TRIL