

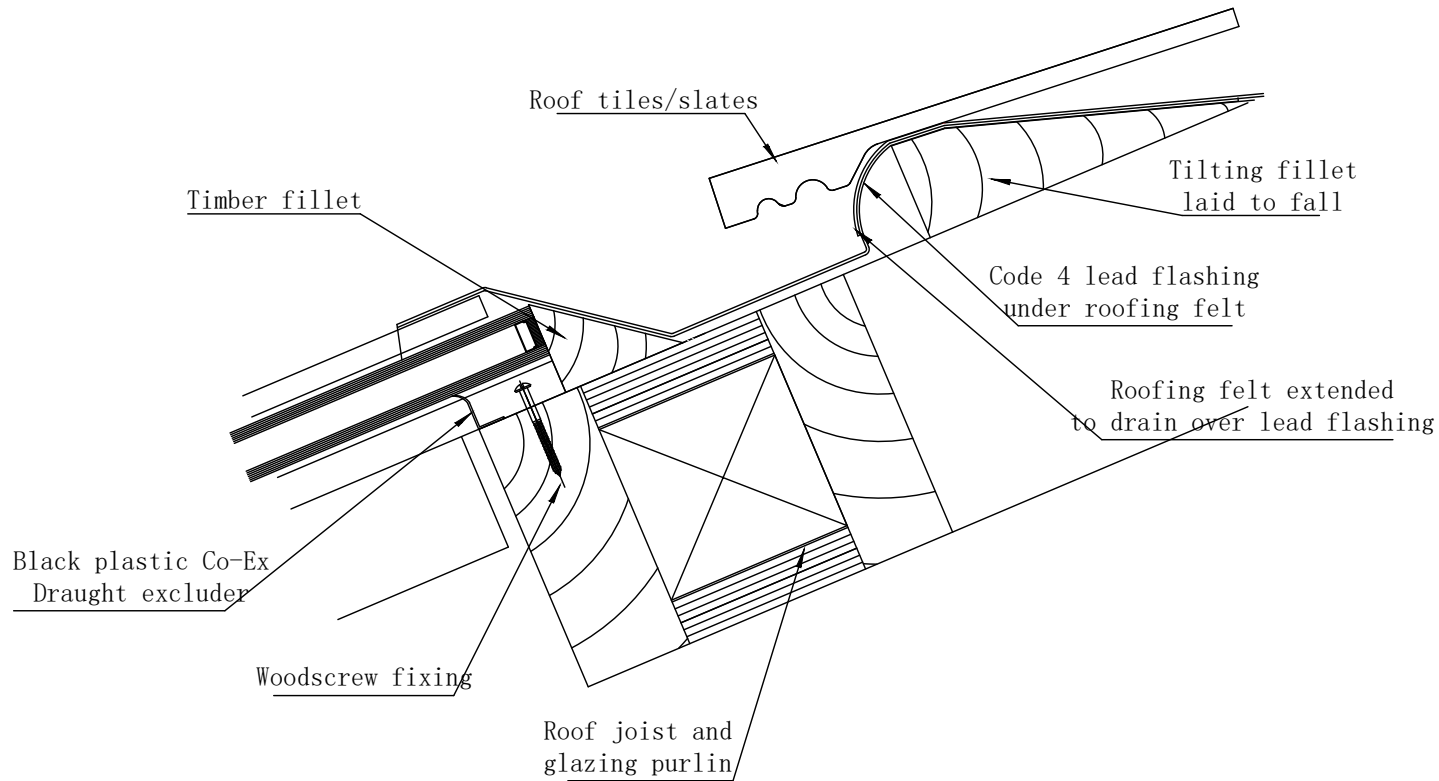
LONSDALE METAL Co. LTD

London N17 9QU  
TEL: 020 8801 4221 FAX: 020 8801 1287  
Email: info@lonsdalemetal.co.uk  
www.lonsdalemetal.co.uk

DRAWING TITLE:

VERTICAL SECTION THROUGH  
ROOFLIGHT PERIMETER TOP DETAIL

SCALE: 1:4 AT A4



Minimum  
pitch  
required 20°

<b>PROJECT:</b>	REV	DATE		DRAWN	VM
TECHNICAL CATALOGUE DETAIL THERMGARD				DATE	01/2024
				DRG. No.	THE 38a-TRIL