



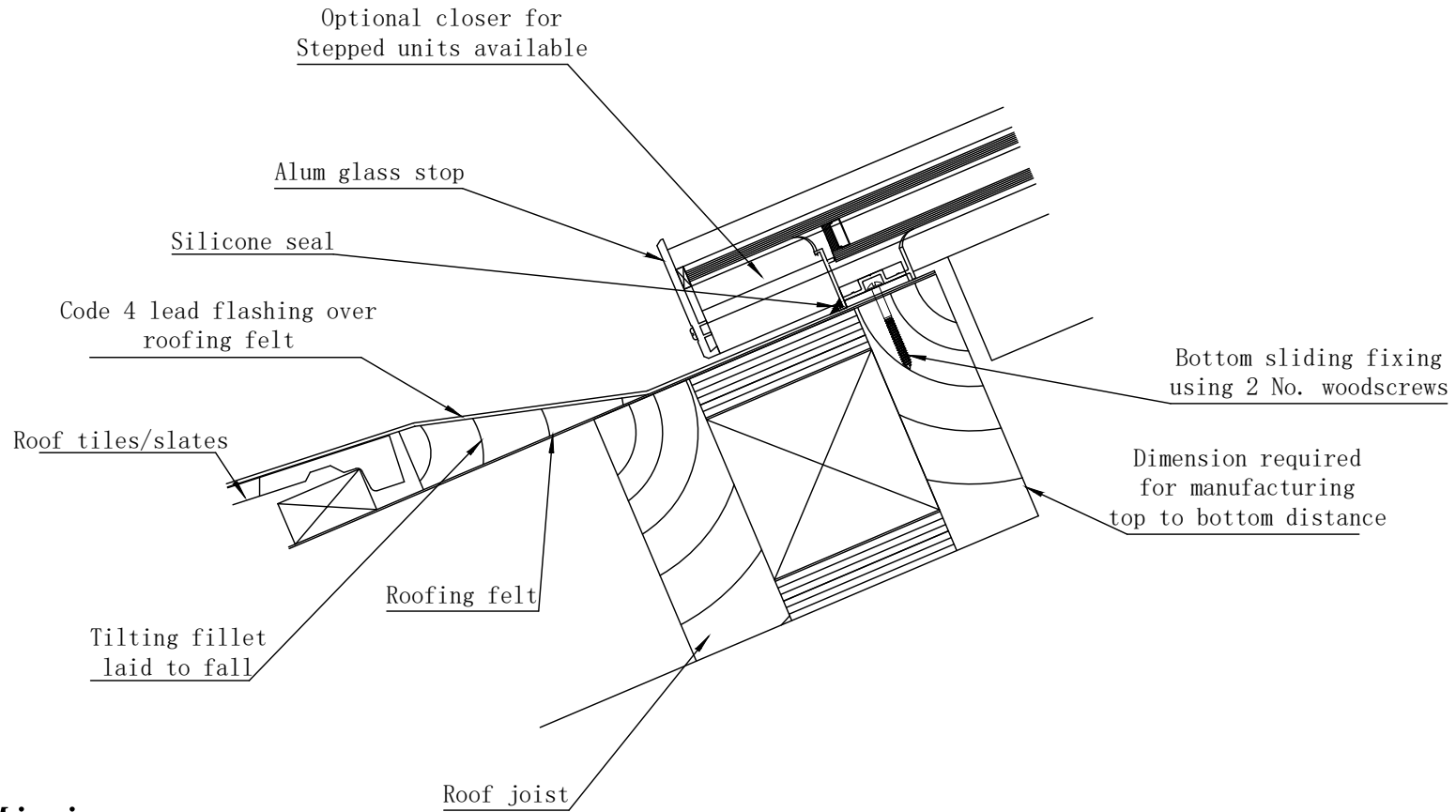
LONSDALE METAL Co. LTD

London N17 9QU
 TEL: 020 8801 4221 FAX: 020 8801 1287
 Email: info@lonsdalemetal.co.uk
 www.lonsdalemetal.co.uk

DRAWING TITLE:

**VERTICAL SECTION THROUGH
 ROOFLIGHT PERIMETER BOTTOM DETAIL**

SCALE: 1:4 AT A4



Minimum
 pitch
 required 20°

PROJECT:	REV	DATE		DRAWN	VM
TECHNICAL CATALOGUE DETAIL THERMGARD				DATE	01/2024
				DRG. No.	THE 37-TRIL