



**LONSDALE METAL Co. LTD**

London N17 9QU

TEL: 020 8801 4221 FAX: 020 8801 1287

Email: info@lonsdalemetal.co.uk

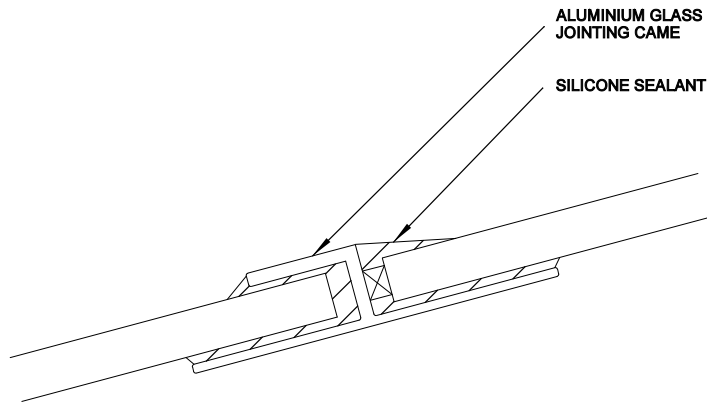
www.lonsdalemetal.co.uk

**DRAWING TITLE:**

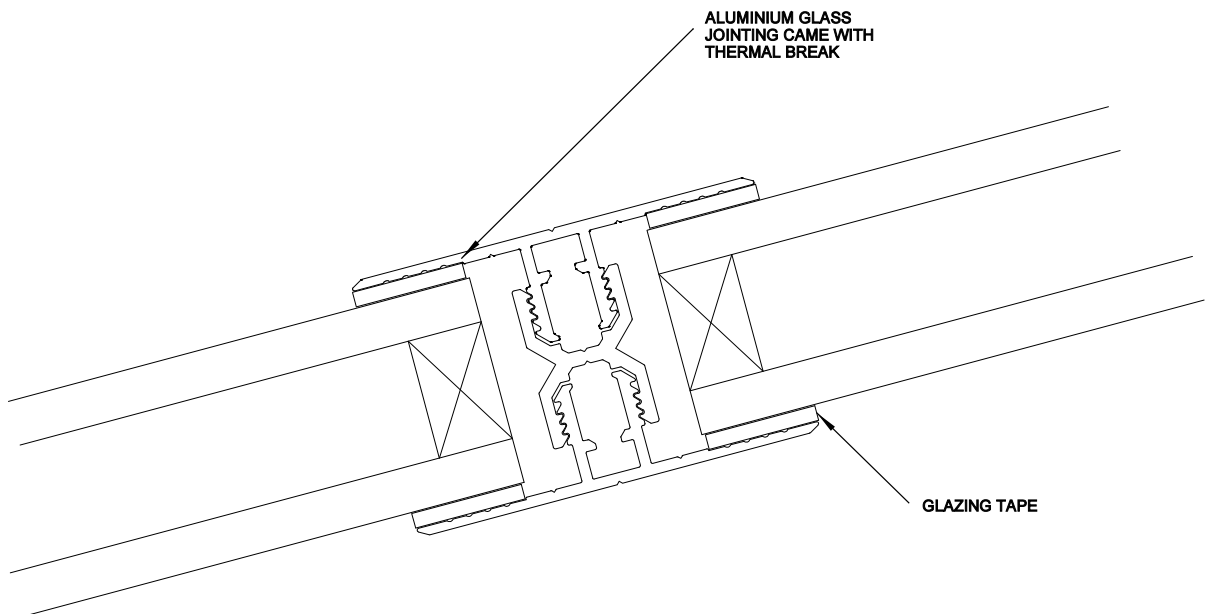
**SECTION THROUGH  
GLASS JOINING CAMES**

**SCALE: 1:1 AT A4**

## GLASS JOINING IN SINGLE GLAZING BARS



## GLASS JOINING IN DOUBLE GLAZING BARS



<b>PROJECT:</b>  TECHNICAL CATALOGUE DETAIL SKYGARD	REV	DATE		DRAWN	VM
				DATE	09/2019
				DRG. No.	Y22