



**LONSDALEMETAL Co. LTD**

London N17 9QU

TEL: 020 8801 4221 FAX: 020 8801 1287

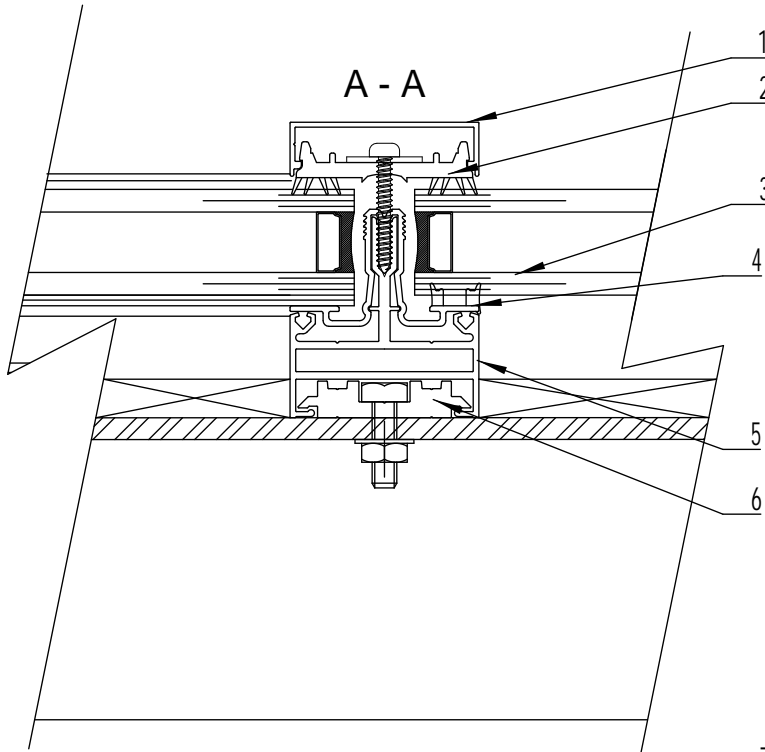
Email: info@lonsdalemetal.co.uk

www.lonsdalemetal.co.uk

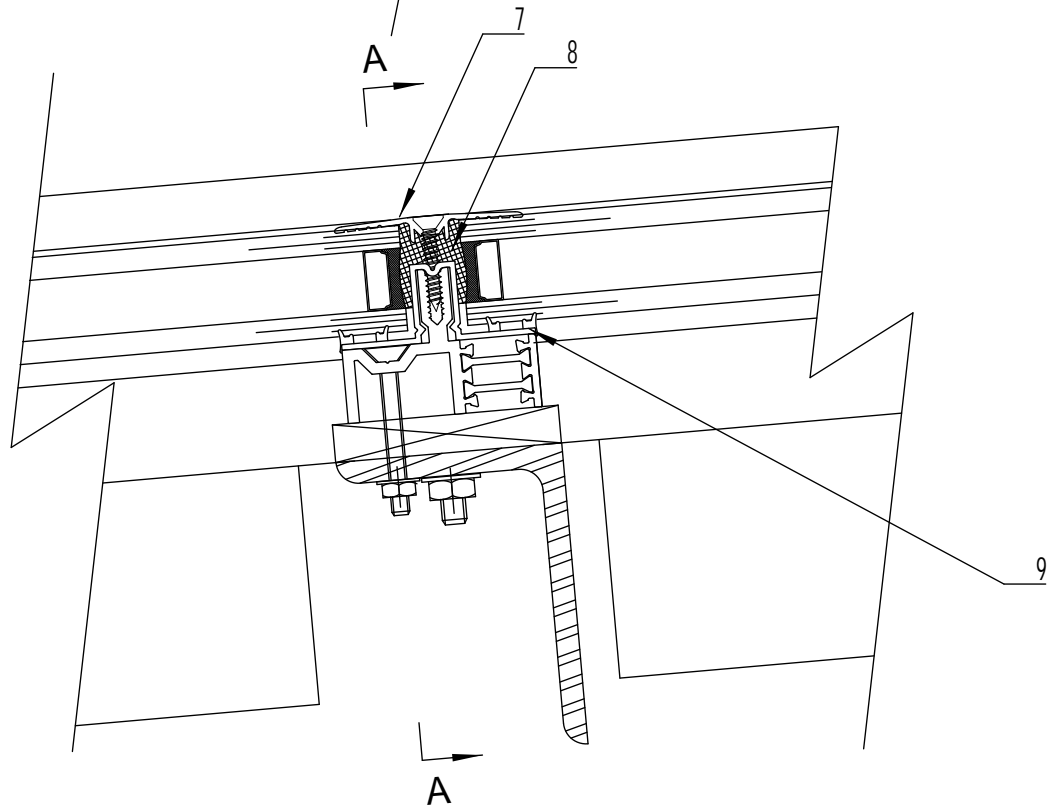
**DRAWING TITLE:**

**SAFEGARDTG50 INTERMEDIATE  
SUPPORTED TRANSOMBAR DETAIL**

SCALE: 1:2 AT A4



- 1. ALUMINIUM SNAP-ON COVER
- 2. PVC CO-EXTRUDED PRESSURE PLATE
- 3. STANDARD DGU 1.2 W\*M<sup>2</sup>/K
- 4. PVC CO-EXTRUDED CARRIER RAIL THERMAL LINER
- 5. ALUMINIUM CARRIER RAIL
- 6. METAL FIXING SHOE WITH M8 BOLT
- 7. ALUMINIUM TRANSOM PRESSURE PLATE
- 8. STRUCTURAL SILICONE SEALANT
- 9. PVC CO-EXTRUDED TRANSOM THERMAL LINER



<b>PROJECT:</b>  TECHNICAL CATALOGUE DETAIL SAFEGARDTG50	REV	DATE		DRAWN	VM
				DATE	07/2024
				DRG. No.	TG-25A