



LONSDALEMETAL Co. LTD

London N17 9QU

TEL: 020 8801 4221 FAX: 020 8801 1287

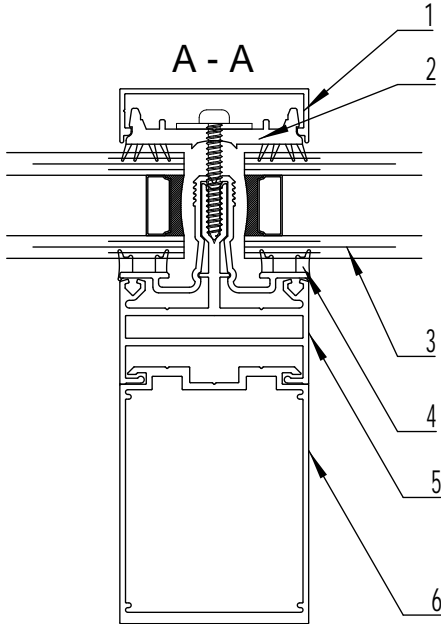
Email: info@lonsdalemetal.co.uk

www.lonsdalemetal.co.uk

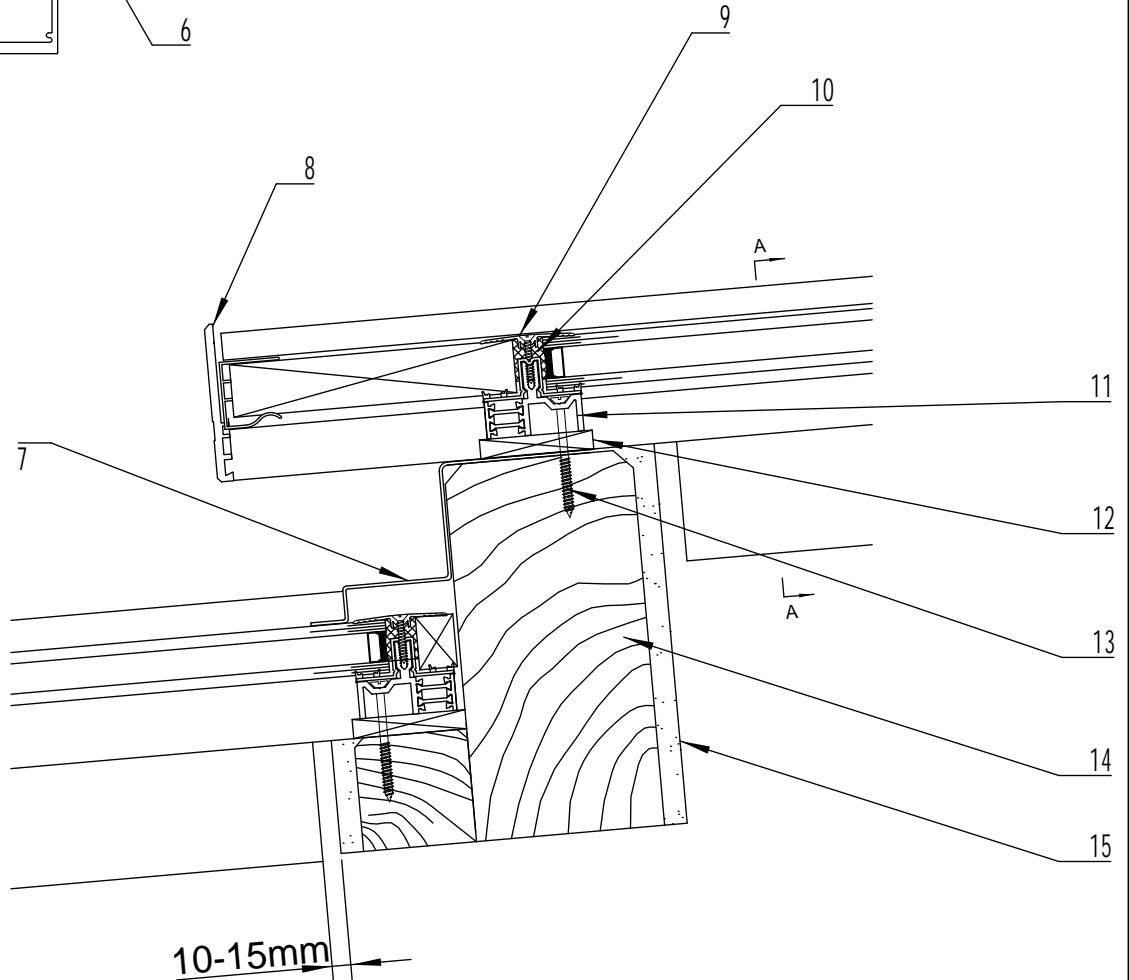
DRAWING TITLE:

SAFEGARDTG50 TIER DETAIL TO TIMBER WITH ALUMINIUM FLASHING

SCALE: 1:4 AT A4



- | | |
|---|--|
| 1. ALUMINIUM SNAP-ON COVER | 7. 16 SWG ALUMINIUM FLASHING |
| 2. PVC CO-EXTRUDED PRESSURE PLATE | 8. ALUMINIUM SCREW-ON GLASS STOP |
| 3. STANDARD DGU 1.2 W*M ² /K | 9. ALUMINIUM TRANSOM PRESSURE PLATE |
| 4. PVC CO-EXTRUDED CARRIER RAIL THERMAL LINER | 10. SILICONE SEALANT |
| 5. ALUMINIUM CARRIER RAIL | 11. THERMALLY BROKEN ALUMINIUM HEAD/EAVES TRANSOM POWDER COATED TO RAL 9005 MATT BLACK AS STANDARD |
| 6. ALUMINIUM BOX SECTION | 12. 10MM SPACER (BY OTHERS) |
| | 13. WOOD SCREW |
| | 14. TIMBER STRUCTURE (BY OTHERS) |
| | 15. PLASTERBOARD (BY OTHERS) |



PROJECT: TECHNICAL CATALOGUE DETAIL SAFEGARDTG50	REV	DATE		DRAWN	VM
				DATE	07/2024
				DRG. No.	TG-24T