



**LONSDALEMETAL Co. LTD**

London N17 9QU

TEL: 020 8801 4221 FAX: 020 8801 1287

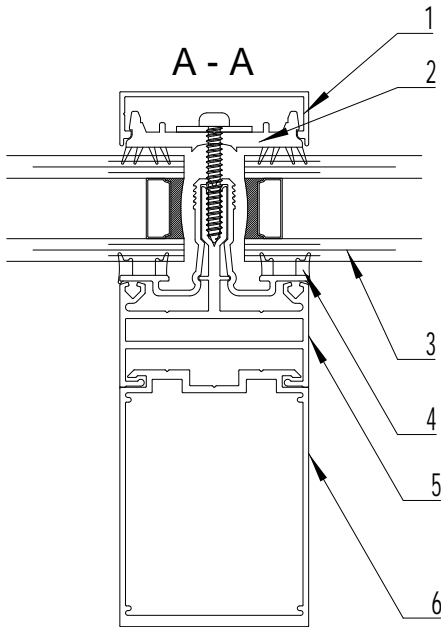
Email: info@lonsdalemetal.co.uk

www.lonsdalemetal.co.uk

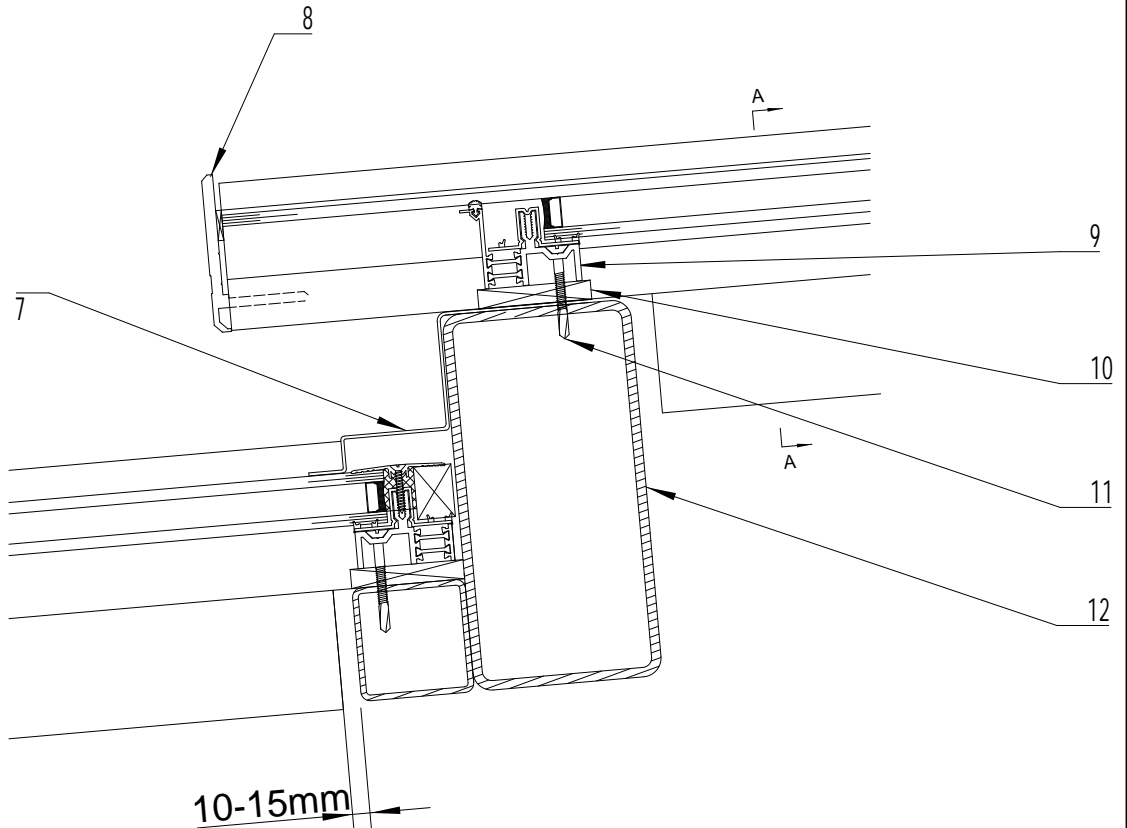
**DRAWING TITLE:**

**SAFEGARDTG50 STEPPED TIER DETAIL TO METAL WITH ALUMINIUM FLASHING**

SCALE: 1:4 AT A4



- 1. ALUMINIUM SNAP-ON COVER
- 2. PVC CO-EXTRUDED PRESSURE PLATE
- 3. STANDARD DGU 1.2 W\*M²/K
- 4. PVC CO-EXTRUDED CARRIER RAIL THERMAL LINER
- 5. ALUMINIUM CARRIER RAIL
- 6. ALUMINIUM BOX SECTION
- 7. 16 SWG ALUMINIUM FLASHING
- 8. ALUMINIUM HEAVY DUTY GLASS STOP
- 9. THERMALLY BROKEN ALUMINIUM HEAD/EAVES TRANSOM POWDER COATED TO RAL 9005 MATT BLACK AS STANDARD
- 10. 10MM SPACER (BY OTHERS)
- 11. SELF-DRILLING SCREW (BY OTHERS)
- 12. STEEL STRUCTURE (BY OTHERS)



<b>PROJECT:</b>  TECHNICAL CATALOGUE DETAIL SAFEGARDTG50	REV	DATE		DRAWN	VM
				DATE	03/2024
				DRG. No.	TG-24MS