



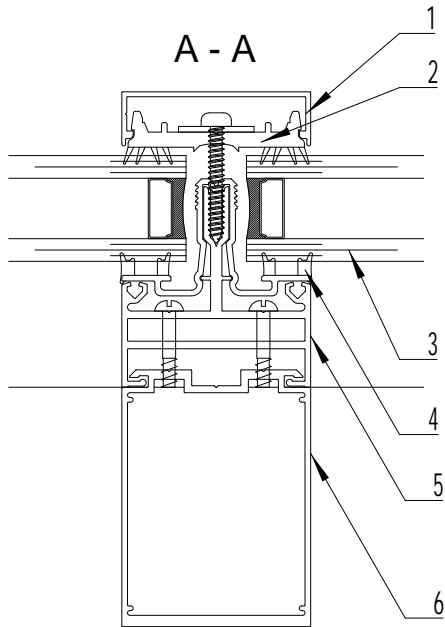
**LONSDALEMETAL Co. LTD**

London N17 9QU  
 TEL: 020 8801 4221 FAX: 020 8801 1287  
 Email: info@lonsdalemetal.co.uk  
 www.lonsdalemetal.co.uk

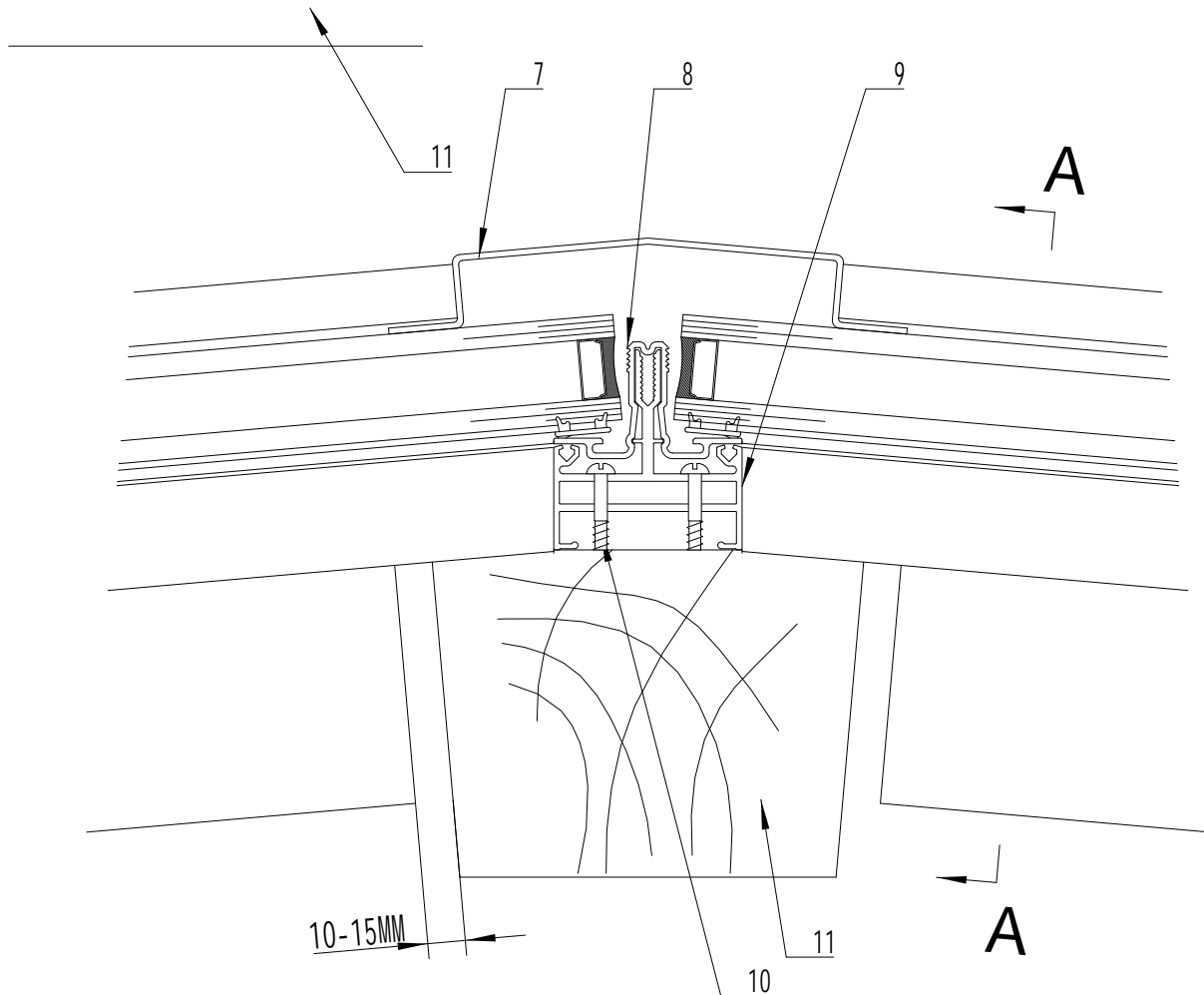
**DRAWING TITLE:**

**SAFEGARDTG50 TIMBER RIDGE DETAIL  
 WITH 5 DEGREE PITCH AND ALUMINIUM  
 FLASHING**

SCALE: 1:2 AT A4



- 1. ALUMINIUM SNAP-ON COVER
- 2. PVC CO-EXTRUDED PRESSURE PLATE
- 3. STANDARD DGU 1.2 W\*M²/K
- 4. PVC CO-EXTRUDED CARRIER RAIL THERMAL LINER
- 5. ALUMINIUM CARRIER RAIL
- 6. ALUMINIUM BOX SECTION
- 7. 16SWG ALUMINIUM FLASHING
- 8. PVC CO-EXTRUDED HIP/RIDGE THERMAL LINER
- 9. TG50 CARRIER RAIL
- 10. No.10 WOOD SCREW
- 11. TIMBER STRUCTURE (BY OTHERS)



**PROJECT:**

TECHNICAL CATALOGUE DETAIL  
 SAFEGARDTG50

REV	DATE	

DRAWN VM

DATE 07/2024

DRG. No.  
 TG-21RRa