



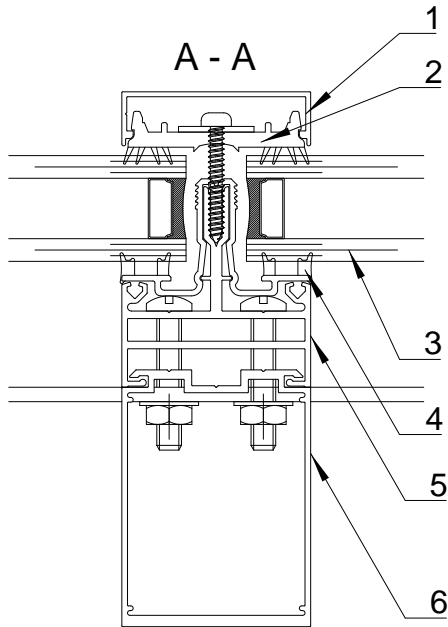
LONSDALEMETAL Co. LTD

London N17 9QU
 TEL: 020 8801 4221 FAX: 020 8801 1287
 Email: info@lonsdalemetal.co.uk
 www.lonsdalemetal.co.uk

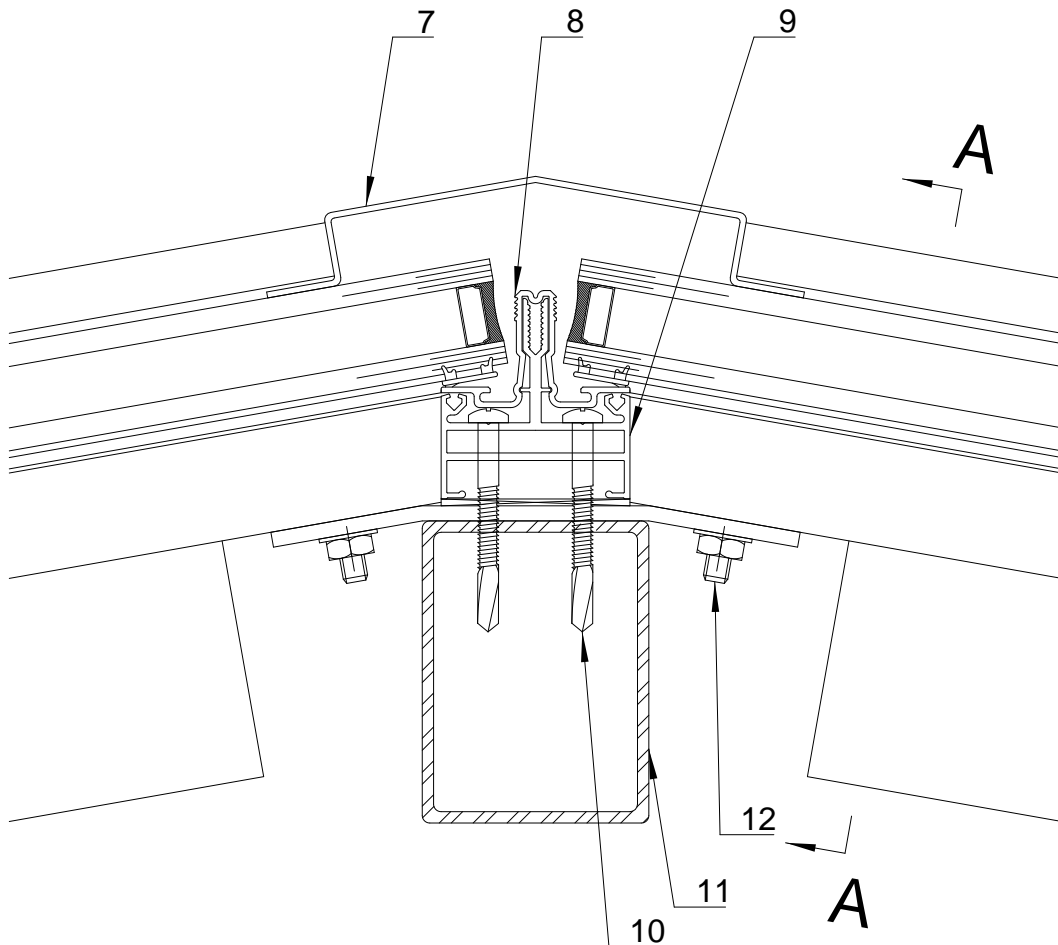
DRAWING TITLE:

**SAFEGARDTG50 SINGLE METAL RIDGE
 DETAIL**

SCALE: 1:2 AT A4



- 1. ALUMINIUM SNAP-ON COVER
- 2. PVC CO-EXTRUDED PRESSURE PLATE
- 3. STANDARD DGU 1.2 W*M²/K
- 4. PVC CO-EXTRUDED CARRIER RAIL THERMAL LINER
- 5. ALUMINIUM CARRIER RAIL
- 6. ALUMINIUM BOX SECTION
- 7. 16SWG ALUMINIUM FLASHING
- 8. PVC CO-EXTRUDED HIP/RIDGE THERMAL LINER
- 9. TG50 CARRIER RAIL
- 10. SELF-DRILLING SCREW (BY OTHERS)
- 11. STEEL STRUCTURE (BY OTHERS)
- 12. TWIN M6 PANHEAD BOLT OR METAL FIX SHOE WITH SINGLE M8 BOLT



PROJECT:

**TECHNICAL CATALOGUE DETAIL
 SAFEGARDTG50**

REV	DATE	

DRAWN VM

DATE 07/2024

DRG. No.
TG-21MRRa