



LONSDALEMETAL Co. LTD

London N17 9QU

TEL: 020 8801 4221 FAX: 020 8801 1287

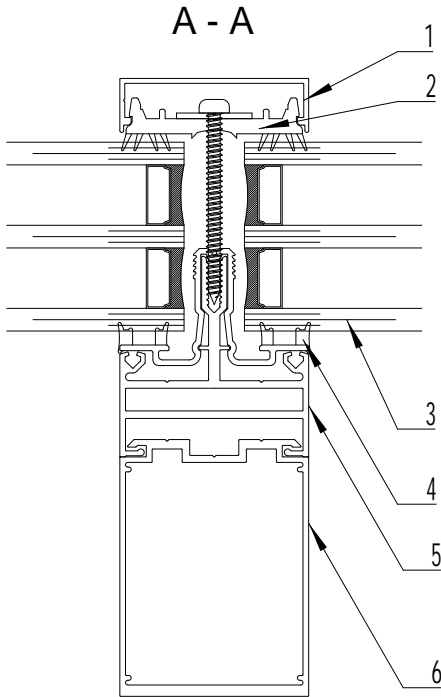
Email: info@lonsdalemetal.co.uk

www.lonsdalemetal.co.uk

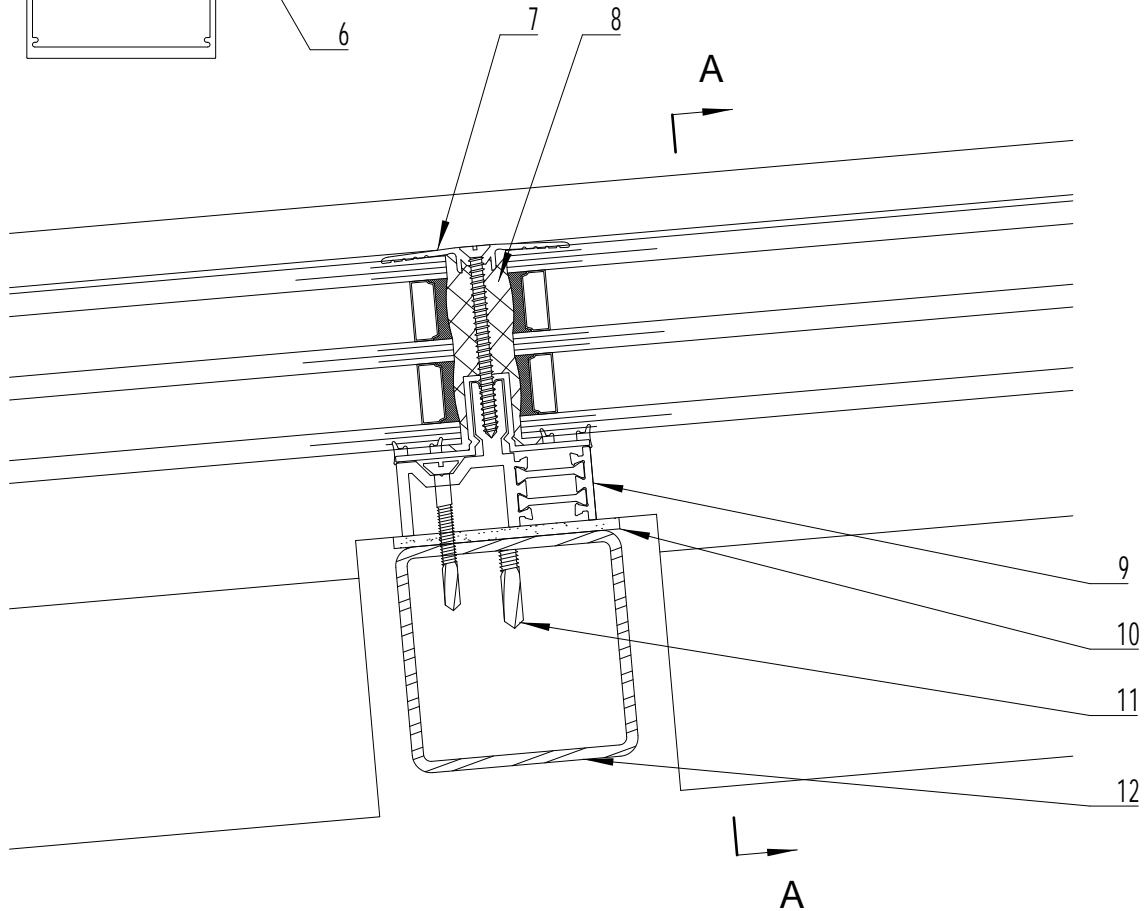
DRAWING TITLE:

**SAFEGARDTG50 TRIPLE GLAZED
INTERMEDIATE SUPPORTED TRANSOM
DETAIL TO METAL**

SCALE: 1:2 AT A4



- | | |
|---|--|
| 1. ALUMINIUM SNAP-ON COVER | 7. ALUMINIUM TRANSOM PRESSURE PLATE |
| 2. PVC CO-EXTRUDED PRESSURE PLATE | 8. SILICONE SEALANT |
| 3. TRIPLE GLAZING UNIT 0.8 W*M²/K | 9. THERMALLY BROKEN ALUMINIUM TRANSOM POWDER COATED TO RAL 9005 MATT BLACK AS STANDARD |
| 4. PVC CO-EXTRUDED CARRIER RAIL THERMAL LINER | 10. NEOPRENE/EPDM TAPE. 3X60MM |
| 5. ALUMINIUM CARRIER RAIL | 11. SELF-DRILLING SCREW |
| 6. ALUMINIUM BOX SECTION | 12. STEEL STRUCTURE (BY OTHERS) |



PROJECT: TECHNICAL CATALOGUE DETAIL SAFEGARDTG50	REV	DATE		DRAWN	VM
				DATE	07/2024
				DRG. No.	TG-45a