



LONSDALEMETAL Co. LTD

London N17 9QU

TEL: 020 8801 4221 FAX: 020 8801 1287

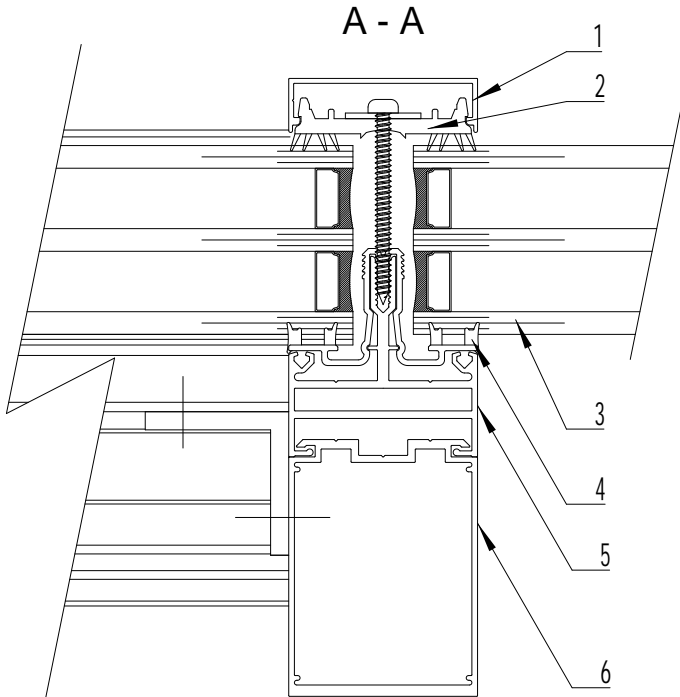
Email: info@lonsdalemetal.co.uk

www.lonsdalemetal.co.uk

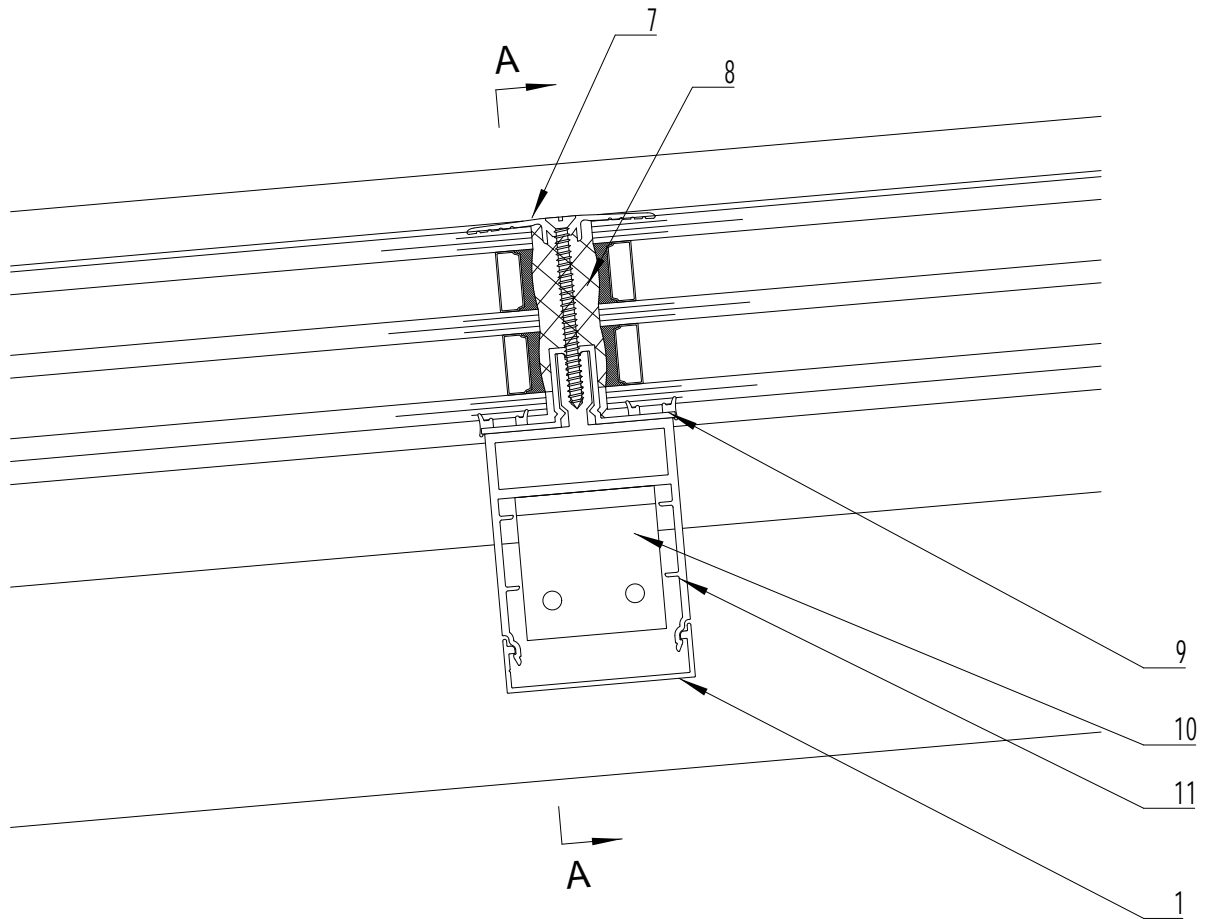
DRAWING TITLE:

**SAFEGARDTG50 TRIPLE GLAZED
SELF-SUPPORTING TRANSOM DETAIL**

SCALE: 1:2 AT A4



1. ALUMINIUM SNAP-ON COVER
2. PVC CO-EXTRUDED PRESSURE PLATE
3. TRIPLE GLAZING UNIT 0.8 W*M²/K
4. PVC CO-EXTRUDED CARRIER RAIL THERMAL LINER
5. ALUMINIUM CARRIER RAIL
6. ALUMINIUM BOX SECTION
7. ALUMINIUM TRANSOM PRESSURE PLATE
8. STRUCTURAL SILICONE SEALANT
9. PVC CO-EXTRUDED TRANSOM THERMAL LINER
10. ALUMINIUM TRANSOM BRACKET
11. SELF-SUPPORTING ALUMINIUM TRANSOM



| | | | | | |
|---|-----|------|--|----------|---------|
| PROJECT: TECHNICAL CATALOGUE DETAIL SAFEGARDTG50 | REV | DATE | | DRAWN | VM |
| | | | | DATE | 07/2024 |
| | | | | DRG. No. | TG-45 |
| | | | | | |