



LONSDALEMETAL Co. LTD

London N17 9QU

TEL: 020 8801 4221 FAX: 020 8801 1287

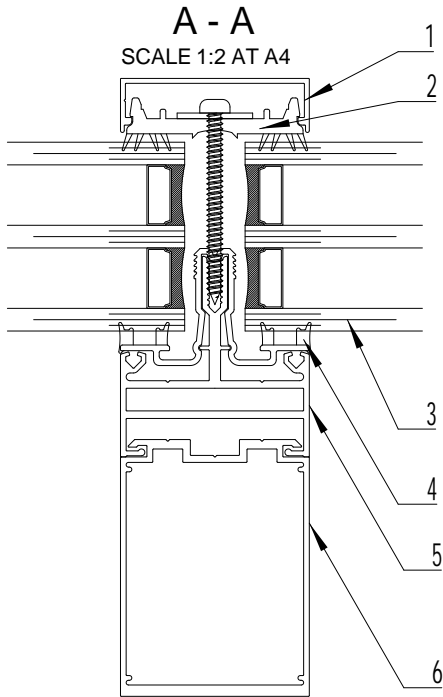
Email: info@lonsdalemetal.co.uk

www.lonsdalemetal.co.uk

DRAWING TITLE:

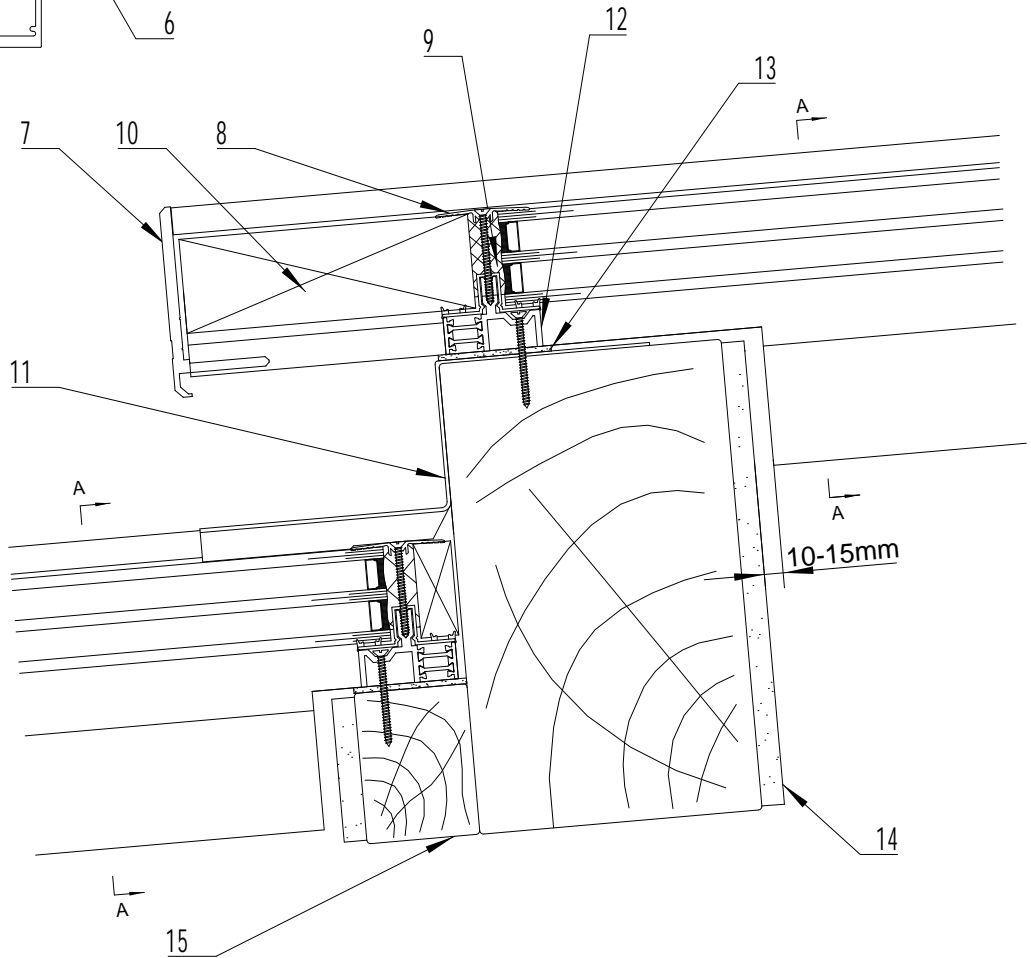
**SAFEGARDTG50 TRIPLE GLAZED TIER
DETAIL TO TIMBER WITH LEAD FLASHING**

SCALE: 1:4 & 1:2 AT A4



1. ALUMINIUM SNAP-ON COVER
2. PVC CO-EXTRUDED PRESSURE PLATE
3. TRIPLE GLAZING UNIT 0.8 W*M²/K
4. PVC CO-EXTRUDED CARRIER RAIL THERMAL LINER
5. ALUMINIUM CARRIER RAIL
6. ALUMINIUM BOX SECTION

7. ALUMINIUM GLASS STOP
8. ALUMINIUM TRANSOM PRESSURE PLATE
9. SILICONE SEALANT
10. INSULATION PANEL OR GLAZING UNIT (BY OTHERS)
11. CODE 4 LEAD FLASHING
12. THERMALLY BROKEN ALUMINIUM EAVES/HEAD TRANSOM POWDER COATED TO RAL 9005 MATT BLACK AS STANDARD
13. NEOPRENE/EPDM TAPE. 3X60MM
14. PLASTERBOARD AND SKIM (BY OTHERS)
15. TIMBER STRUCTURE (BY OTHERS)



PROJECT: TECHNICAL CATALOGUE DETAIL SAFEGARDTG50	REV	DATE		DRAWN	VM
				DATE	07/2024
				DRG. No.	TG-44T