



LONSDALEMETAL Co. LTD

London N17 9QU

TEL: 020 8801 4221 FAX: 020 8801 1287

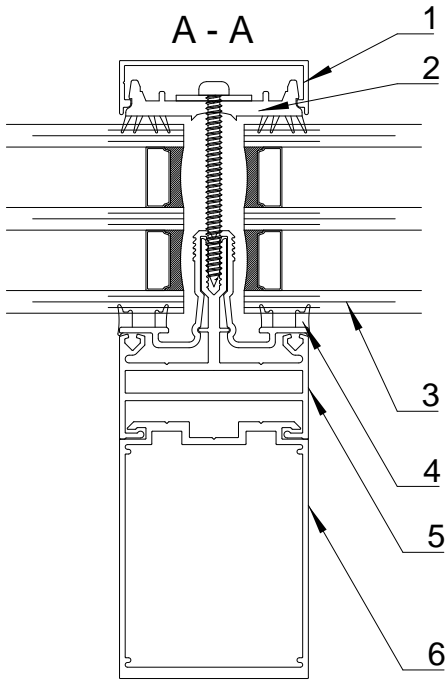
Email: info@lonsdalemetal.co.uk

www.lonsdalemetal.co.uk

DRAWING TITLE:

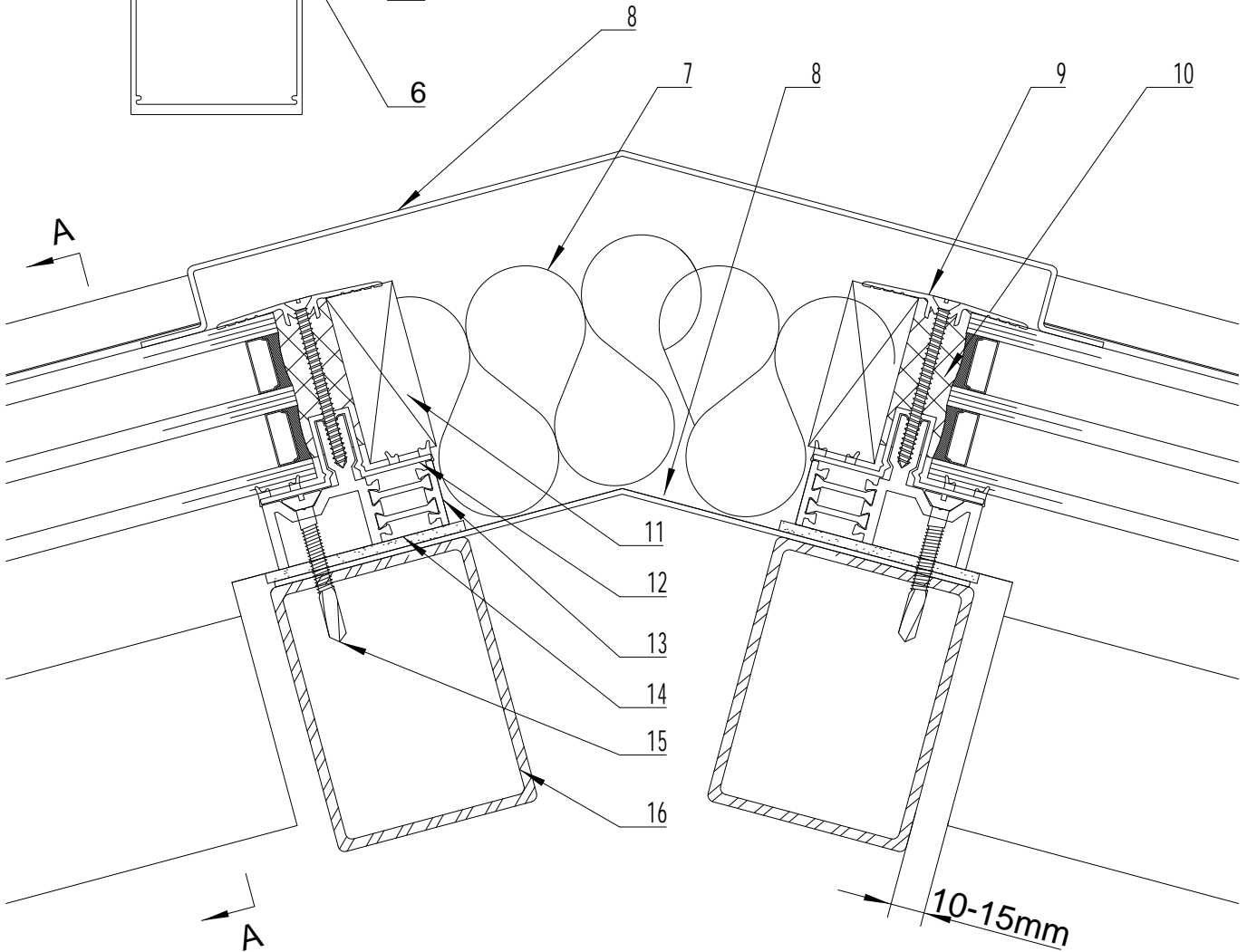
**SAFEGARDTG50 TRIPLE GLAZED RIDGE
DETAIL WITH ALUMINIUM FLASHING**

SCALE: 1:2 AT A4



1. ALUMINIUM SNAP-ON COVER
2. PVC CO-EXTRUDED PRESSURE PLATE
3. TRIPLE GLAZING UNIT 0.8 W*M²/K
4. PVC CO-EXTRUDED CARRIER RAIL THERMAL LINER
5. ALUMINIUM CARRIER RAIL
6. ALUMINIUM BOX SECTION

7. INSULATION (BY OTHERS)
8. 16SWG ALUMINIUM FLASHING
9. ALUMINIUM TRANSOM PRESSURE PLATE
10. SILICONE SEALANT
11. SPACER, SAME THICKNESS AS GLAZING UNIT (BY OTHERS)
12. PVC CO-EXTRUDED TRANSOM THERMAL LINER
13. THERMALLY BROKEN ALUMINIUM HEAD TRANSOM POWDER COATED TO RAL 9005 MATT BLACK AS STANDARD
14. NEOPRENE/EPDM TAPE. 3X60MM
15. SELF-DRILLING SCREW
16. STEEL STRUCTURE (BY OTHERS)



PROJECT: TECHNICAL CATALOGUE DETAIL SAFEGARDTG50	REV	DATE		DRAWN	VM
				DATE	07/2024
				DRG. No.	TG-41MRa