



**LONSDALEMETAL Co. LTD**

London N17 9QU

TEL: 020 8801 4221 FAX: 020 8801 1287

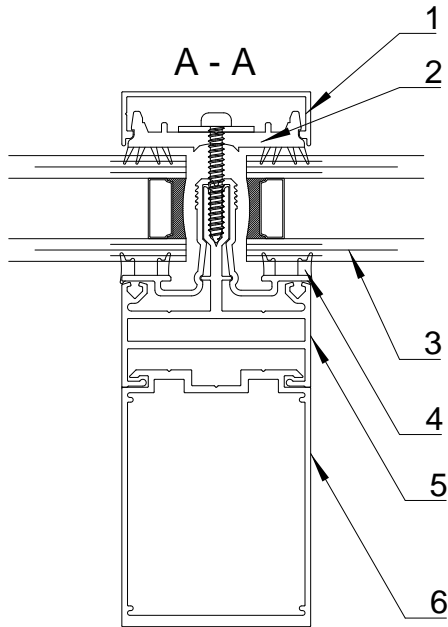
Email: info@lonsdalemetal.co.uk

www.lonsdalemetal.co.uk

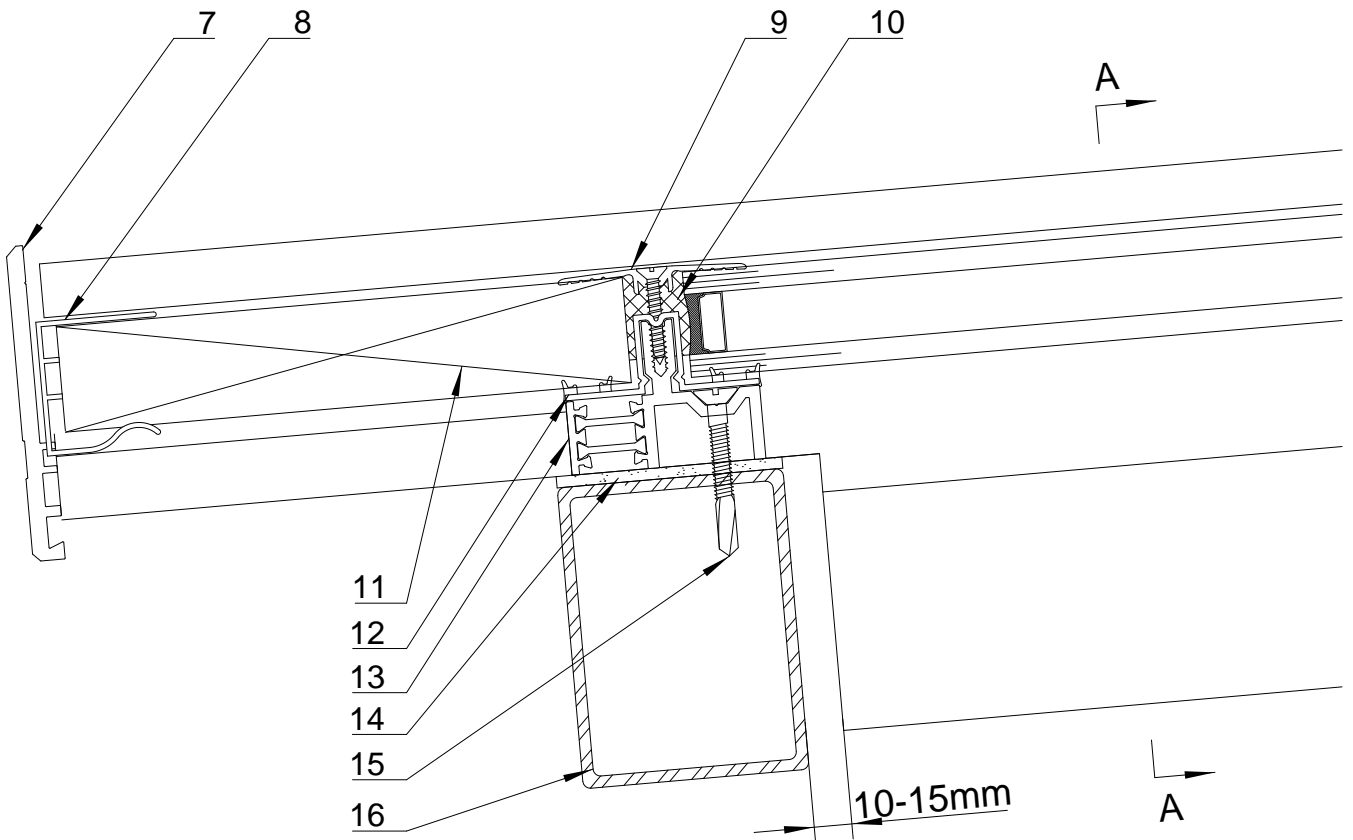
**DRAWING TITLE:**

**SAFEGARDTG50 EAVES DETAIL TO METAL**

SCALE: 1:2 AT A4



- 1. ALUMINIUM SNAP-ON COVER
- 2. PVC CO-EXTRUDED PRESSURE PLATE
- 3. STANDARD DGU 1.2 W\*M<sup>2</sup>/K
- 4. PVC CO-EXTRUDED CARRIER RAIL THERMAL LINER
- 5. ALUMINIUM CARRIER RAIL
- 6. ALUMINIUM BOX SECTION
- 7. SCREW-ON ALUMINIUM GLASS STOP
- 8. ALUMINIUM UNIT CLOSURE
- 9. ALUMINIUM TRANSOM PRESSURE PLATE
- 10. SILICONE SEALANT
- 11. INSULATION PANEL OR DGU (BY OTHERS)
- 12. PVC CO-EXTRUDED TRANSOM THERMAL LINER
- 13. THERMALLY BROKEN ALUMINIUM EAVES TRANSOM POWDER COATED TO RAL 9005 MATT BLACK AS STANDARD
- 14. NEOPRENE/EPDM TAPE. 3X60MM
- 15. SELF-DRILLING SCREW
- 16. STEEL STRUCTURE (BY OTHERS)



**PROJECT:**

**TECHNICAL CATALOGUE DETAIL  
SAFEGARDTG50**

REV	DATE	

DRAWN VM

DATE 07/2024

DRG. No. TG-2M