



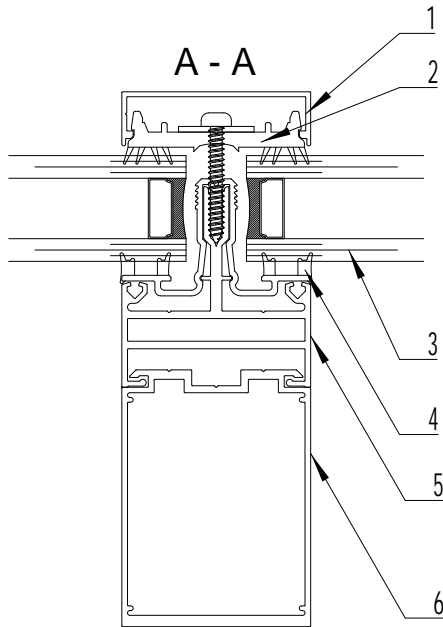
**LONSDALEMETAL Co. LTD**

London N17 9QU  
 TEL: 020 8801 4221 FAX: 020 8801 1287  
 Email: info@lonsdalemetal.co.uk  
 www.lonsdalemetal.co.uk

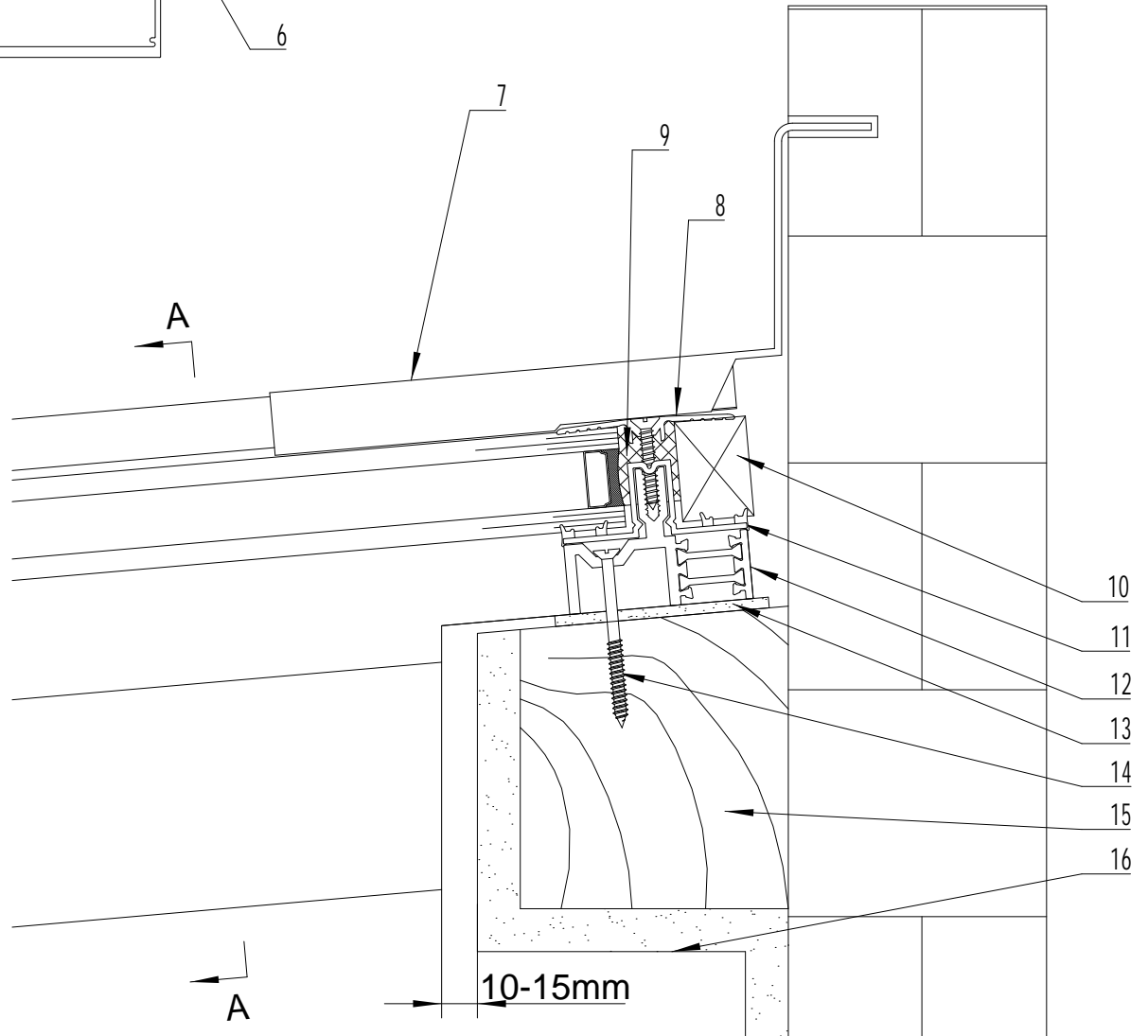
**DRAWING TITLE:**

**SAFEGARDTG50 TOP DETAIL TO TIMBER WITH LEAD FLASHING**

SCALE: 1:2 AT A4



- 1. ALUMINIUM SNAP-ON COVER
- 2. PVC CO-EXTRUDED PRESSURE PLATE
- 3. STANDARD DGU 1.2 W\*M²/K
- 4. PVC CO-EXTRUDED CARRIER RAIL THERMAL LINER
- 5. ALUMINIUM CARRIER RAIL
- 6. ALUMINIUM BOX SECTION
- 7. CODE 4 LEAD FLASHING (BY OTHERS)
- 8. ALUMINIUM TRANSOM PRESSURE PLATE
- 9. SILICONE SEALANT
- 10. SPACER, SAME THICKNESS AS DGU. (BY OTHERS)
- 11. PVC CO-EXTRUDED TRANSOM THERMAL LINER
- 12. THERMALLY BROKEN ALUMINIUM HEAD TRANSOM POWDER COATED TO RAL 9005 MATT BLACK AS STANDARD
- 13. NEOPRENE/EPDM TAPE. 3X60MM
- 14. WOOD SCREW
- 15. TIMBER WALL PLATE (BY OTHERS)
- 16. PLASTERBOARD AND SKIM (BY OTHERS)



**PROJECT:**

TECHNICAL CATALOGUE DETAIL  
 SAFEGARDTG50

REV	DATE	

DRAWN VM

DATE 07/2024

DRG. No. TG-1T