



LONSDALEMETAL Co. LTD

London N17 9QU

TEL: 020 8801 4221 FAX: 020 8801 1287

Email: info@lonsdalemetal.co.uk

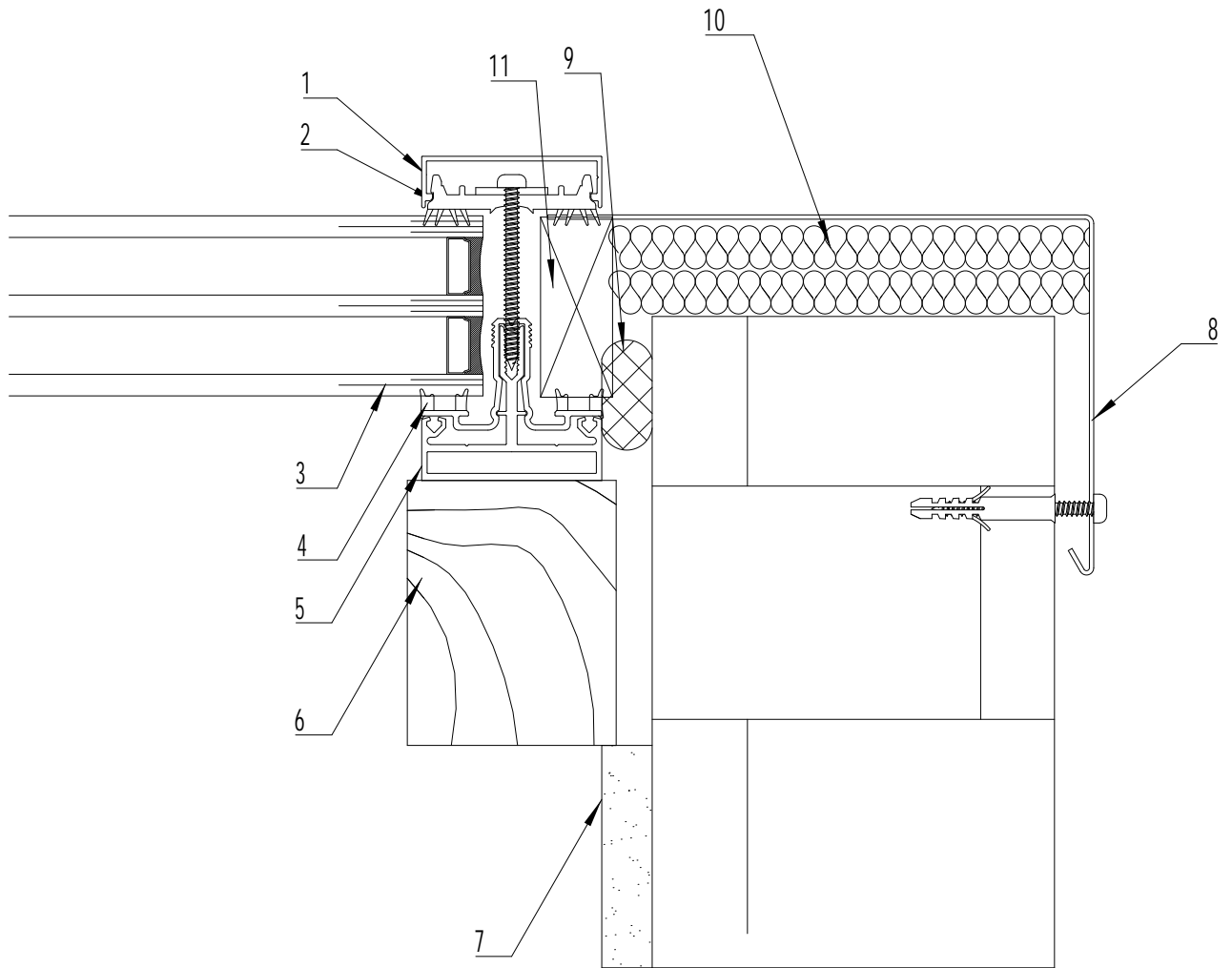
www.lonsdalemetal.co.uk

DRAWING TITLE:

**SAFEGARDTG50 RAFTER GLAZING BAR
VERGE DETAIL WITH TRIPLE GLAZING AND
ALUMINIUM FLASHING**

SCALE: 1:2 AT A4

1. ALUMINIUM SNAP-ON COVER
2. PVC CO-EXTRUDED PRESSURE PLATE
3. TRIPLE GLAZED UNIT
4. PVC CO-EXTRUDED CARRIER RAIL THERMAL LINER
5. ALUMINIUM RAFTER GLAZING BAR
6. TIMBER RAFTER (BY OTHERS)
7. PLASTERBOARD AND SKIM (BY OTHERS)
8. 16 SWG ALUMINIUM FLASHING
9. SILICONE SEAL NAT (BY OTHERS)
10. LOOSE LAY INSULATION (BY OTHERS)
11. GLAZING SPACER (BY OTHERS)



PROJECT: TECHNICAL CATALOGUE DETAIL SAFEGARDTG50	REV	DATE		DRAWN	VM
				DATE	07/2024
				DRG. No.	TG-63b