



**LONSDALEMETAL Co. LTD**

London N17 9QU

TEL: 020 8801 4221 FAX: 020 8801 1287

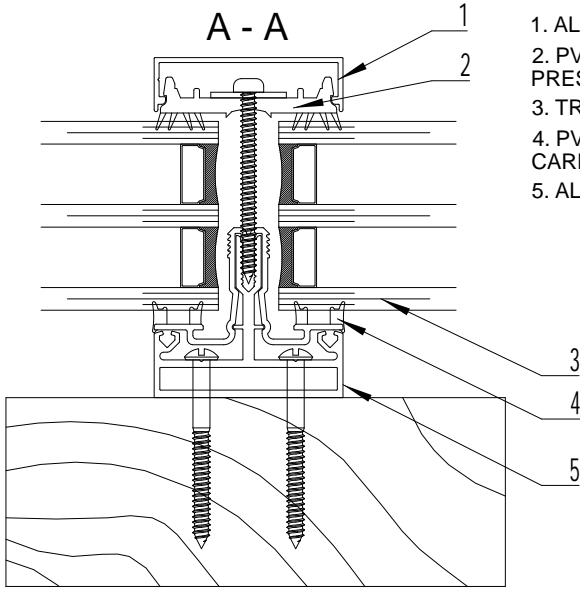
Email: info@lonsdalemetal.co.uk

www.lonsdalemetal.co.uk

**DRAWING TITLE:**

**SAFEGARDTG50 RAFTER GLAZING BAR  
EAVES DETAIL WITH TRIPLE GLAZING**

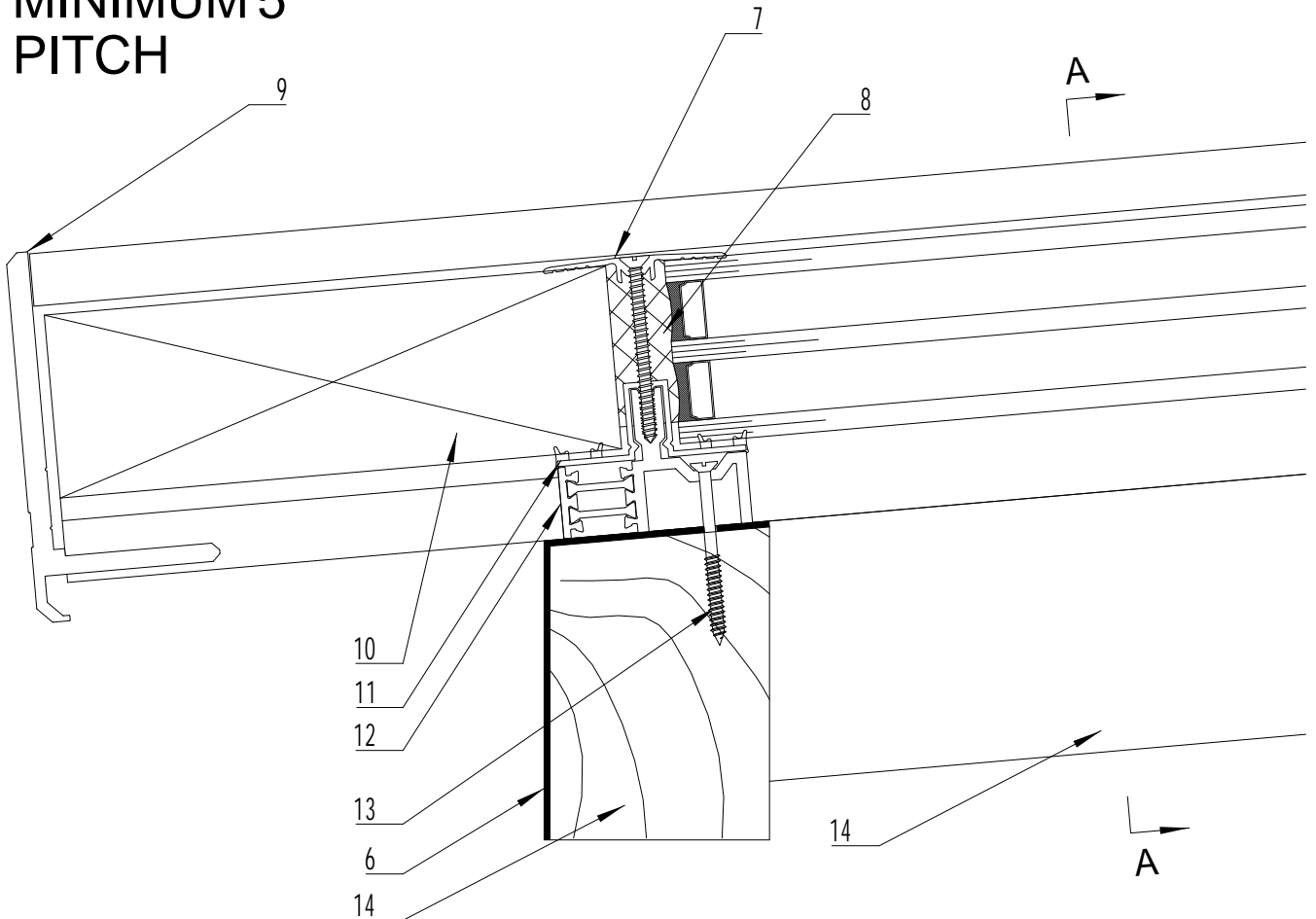
SCALE: 1:2 AT A4



1. ALUMINIUM SNAP-ON COVER
2. PVC CO-EXTRUDED PRESSURE PLATE
3. TRIPLE GLAZING UNIT 0.8 W\*M²/K
4. PVC CO-EXTRUDED CARRIER RAIL THERMAL LINER
5. ALUMINIUM RAFTER BAR

6. CODE 4 LEAD FLASHING/ROOFING FINISH (BY OTHERS)
7. ALUMINIUM TRANSOM PRESSURE PLATE
8. SILICONE SEALANT
9. ALUMINIUM GLASS STOP
10. INSULATION PANEL OR GLAZING UNIT (BY OTHERS)
11. PVC CO-EXTRUDED TRANSOM THERMAL LINER
12. THERMALLY BROKEN ALUMINIUM EAVES TRANSOM POWDER COATED TO RAL 9005 MATT BLACK AS STANDARD
13. WOOD SCREW
14. TIMBER EAVES AND RAFTERS (BY OTHERS)

**MINIMUM 5°  
PITCH**



<b>PROJECT:</b>  <b>TECHNICAL CATALOGUE DETAIL</b> <b>SAFEGARDTG50</b>	REV	DATE		DRAWN	VM
				DATE	07/2024
				DRG. No.	TG-62