



**LONSDALEMETAL Co. LTD**

London N17 9QU

TEL: 020 8801 4221 FAX: 020 8801 1287

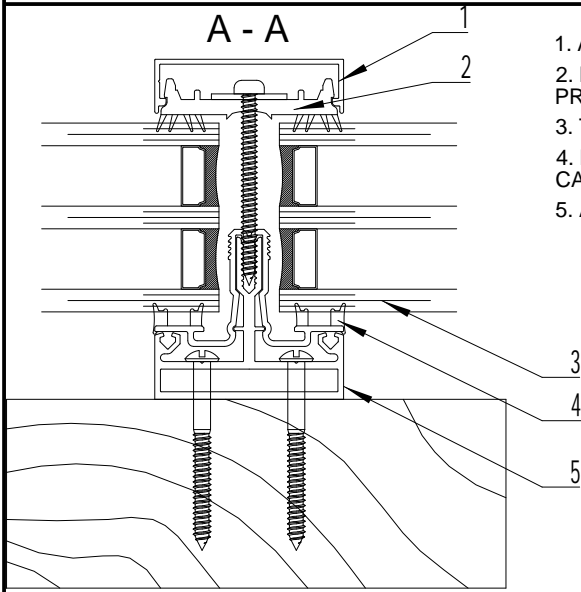
Email: info@lonsdalemetal.co.uk

www.lonsdalemetal.co.uk

**DRAWING TITLE:**

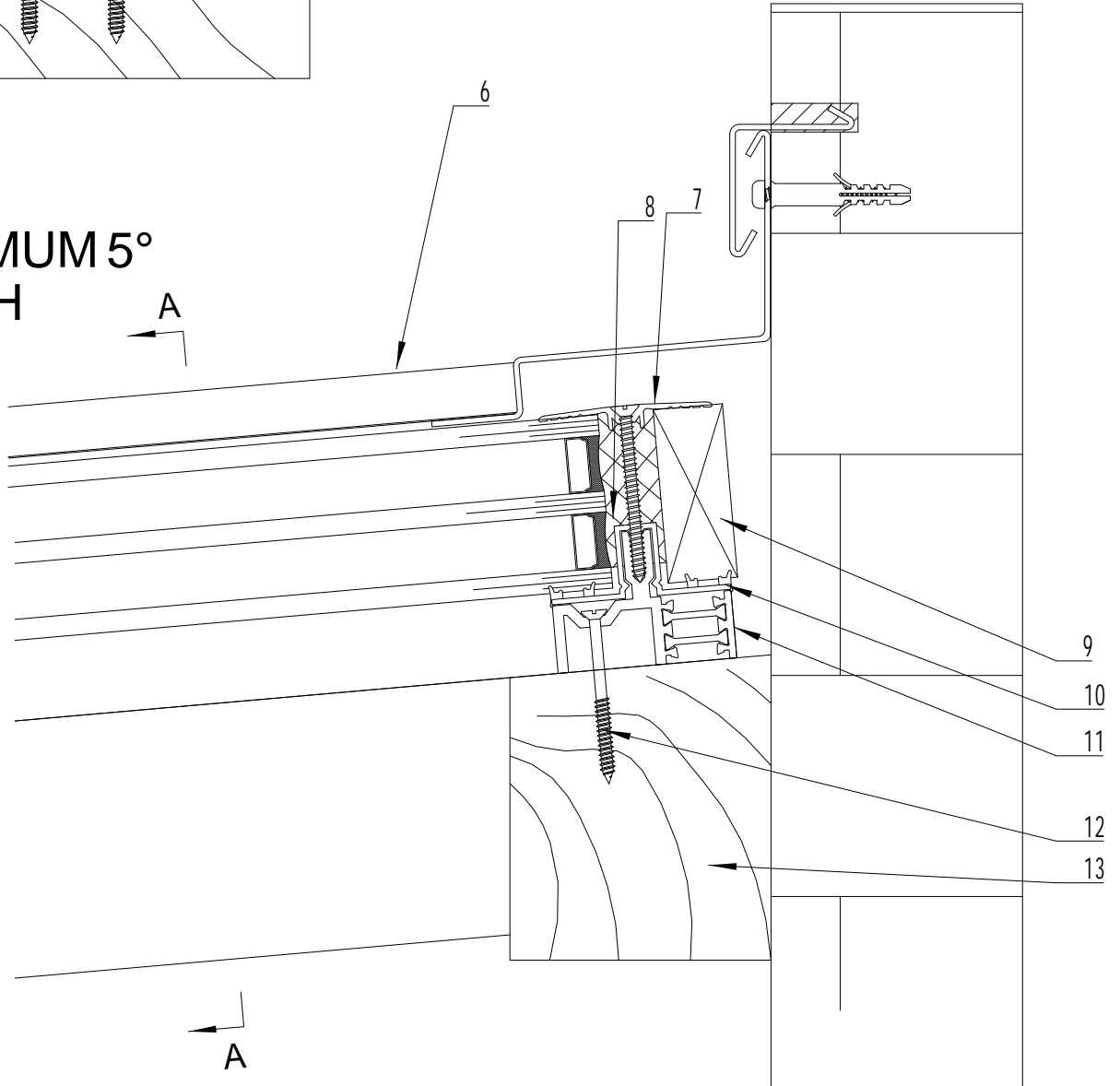
**SAFEGARDTG50 RAFTER BAR TOP DETAIL  
WITH TRIPLE GLAZING AND ALUMINIUM  
FLASHING**

SCALE: 1:2 AT A4



- 1. ALUMINIUM SNAP-ON COVER
- 2. PVC CO-EXTRUDED PRESSURE PLATE
- 3. TRIPLE GLAZING UNIT 0.8 W\*M²/K
- 4. PVC CO-EXTRUDED CARRIER RAIL THERMAL LINER
- 5. ALUMINIUM RAFTER BAR
- 6. 16SWG ALUMINIUM FLASHINGS (BY OTHERS)
- 7. ALUMINIUM TRANSOM PRESSURE PLATE
- 8. SILICONE SEALANT
- 9. SPACER, SAME THICKNESS AS GLAZING UNIT (BY OTHERS)
- 10. PVC CO-EXTRUDED TRANSOM THERMAL LINER
- 11. THERMALLY BROKEN ALUMINIUM HEAD TRANSOM POWDER COATED TO RAL 9005 MATT BLACK AS STANDARD
- 12. WOOD SCREW
- 13. TIMBER WALL PLATE AND RAFTERS (BY OTHERS)

**MINIMUM 5°  
PITCH**



<b>PROJECT:</b>  <b>TECHNICAL CATALOGUE DETAIL</b> <b>SAFEGARDTG50</b>	REV	DATE		DRAWN	VM
				DATE	07/2024
				DRG. No.	TG-61a