



LONSDALEMETAL Co. LTD

London N17 9QU

TEL: 020 8801 4221 FAX: 020 8801 1287

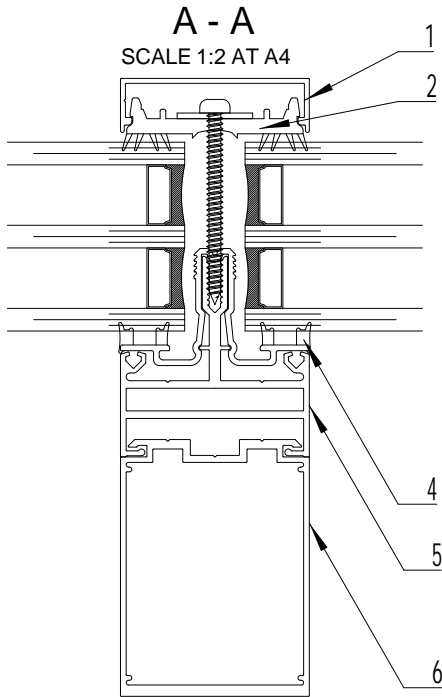
Email: info@lonsdalemetal.co.uk

www.lonsdalemetal.co.uk

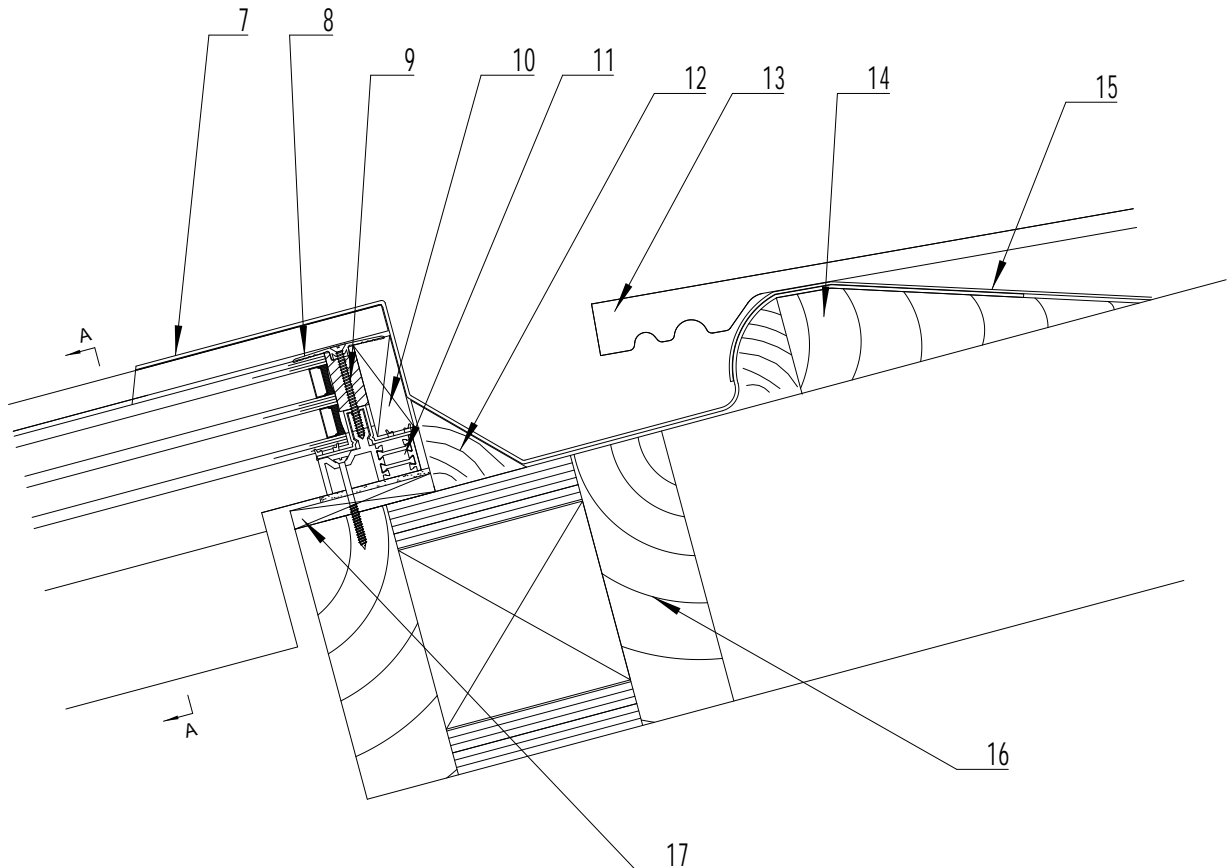
DRAWING TITLE:

**SAFEGARDTG50 TRIPLE GLAZED IN-LINE
ROOFLIGHT TOP DETAIL TO TIMBER WITH
LEAD FLASHING**

SCALE: 1:4 & 1:2 AT A4



- | | |
|---|--|
| 1. ALUMINIUM SNAP-ON COVER | 7. CODE 4 LEAD FLASHING (BY OTHERS) |
| 2. PVC CO-EXTRUDED PRESSURE PLATE | 8. ALUMINIUM TRANSOM PRESSURE PLATE |
| 3. TRIPLE GLAZING UNIT 0.8 W*M²/K | 9. SILICONE SEALANT |
| 4. PVC CO-EXTRUDED CARRIER RAIL THERMAL LINER | 10. SPACER, SAME THICKNESS AS DGU. (BY OTHERS) |
| 5. ALUMINIUM CARRIER RAIL | 11. THERMALLY BROKEN ALUMINIUM HEAD TRANSOM POWDER COATED TO RAL 9005 MATT BLACK AS STANDARD |
| 6. ALUMINIUM BOX SECTION | 12. TIMBER FILLET (BY OTHERS) |
| | 13. ROOF TILES |
| | 14. TILING FILLET LAID TO FALL (BY OTHERS) |
| | 15. ROOF FELT EXTENDED ON TO LEAD FLASHING (BY OTHERS) |
| | 16. ROOF JOISTS (BY OTHERS) |
| | 17. 10mm PACKER (BY OTHERS) |



| | | | | | |
|---|-----|------|--|----------|---------|
| PROJECT: TECHNICAL CATALOGUE DETAIL SAFEGARDTG50 | REV | DATE | | DRAWN | VM |
| | | | | DATE | 07/2024 |
| | | | | DRG. No. | TG-51T |
| | | | | | |