



**LONSDALEMETAL Co. LTD**

London N17 9QU

TEL: 020 8801 4221 FAX: 020 8801 1287

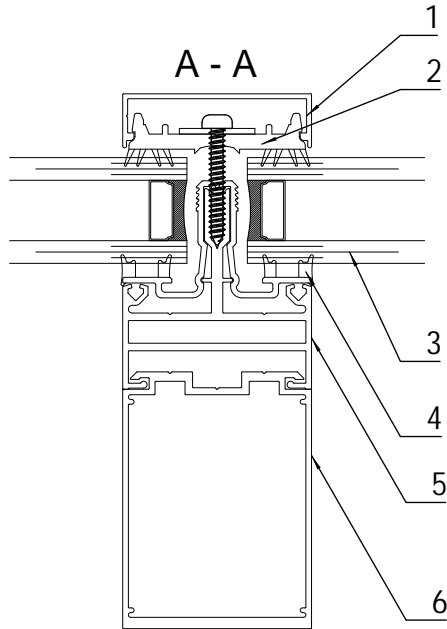
Email: info@lonsdalemetal.co.uk

www.lonsdalemetal.co.uk

**DRAWING TITLE:**

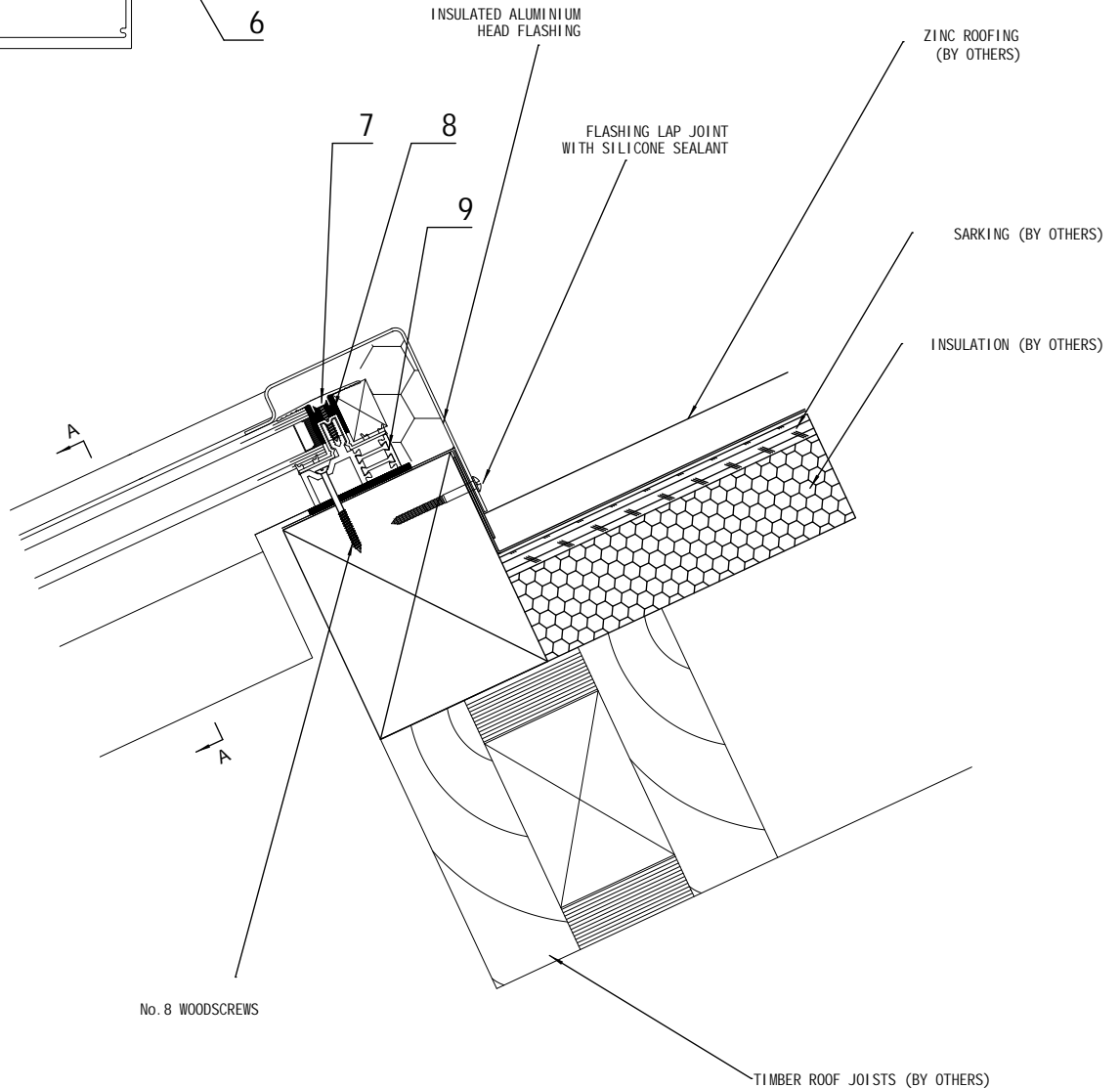
**SAFEGARDTG50 ROOFLIGHT PERIMETER HEAD DETAIL TO ZINC ROOF**

SCALE: 1:4 AT A4



- 1. ALUMINIUM SNAP-ON COVER
- 2. PVC CO-EXTRUDED PRESSURE PLATE
- 3. STANDARD DGU 1.2 W\*M²/K
- 4. PVC CO-EXTRUDED CARRIER RAIL THERMAL LINER
- 5. ALUMINIUM CARRIER RAIL
- 6. ALUMINIUM BOX SECTION

- 7. ALUMINIUM TRANSOM PRESSURE PLATE
- 8. SILICONE SEALANT
- 9. THERMALLY BROKEN ALUMINIUM EAVES TRANSOM POWDER COATED TO RAL 9005 MATT BLACK AS STANDARD



No. 8 WOODSCREWS

TIMBER ROOF JOISTS (BY OTHERS)

**PROJECT:**

**TECHNICAL CATALOGUE DETAIL  
SAFEGARDTG50**

REV	DATE	

DRAWN VM

DATE 07/2024

DRG. No. TG-31Tz