



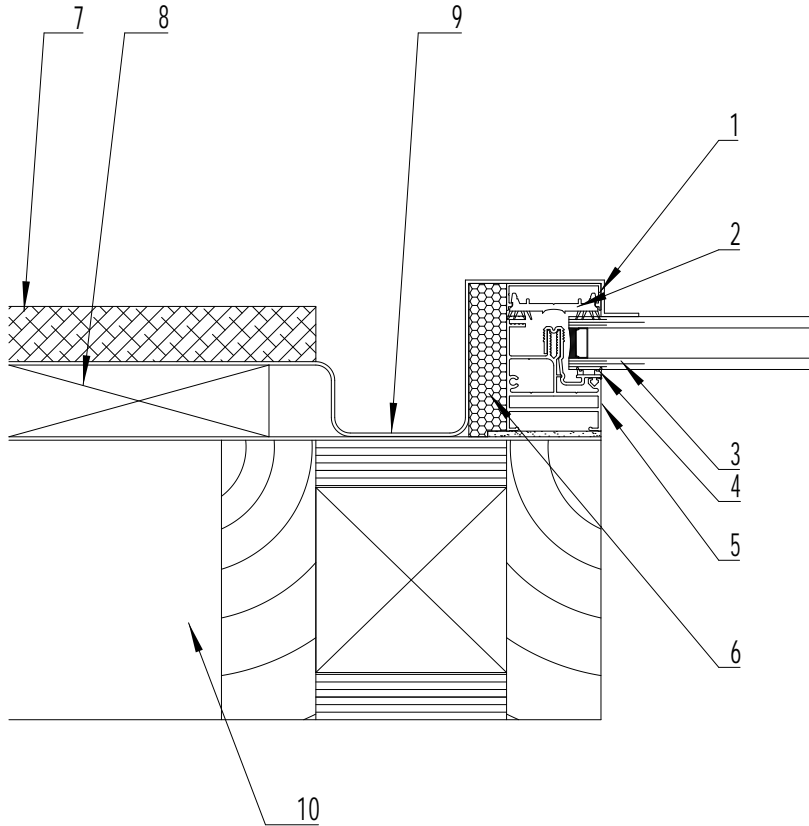
LONSDALEMETAL Co. LTD

London N17 9QU
 TEL: 020 8801 4221 FAX: 020 8801 1287
 Email: info@lonsdalemetal.co.uk
 www.lonsdalemetal.co.uk

DRAWING TITLE:

**SAFEGARDTG50 IN-LINE ROOFLIGHT SIDE
 DETAIL TO TIMBER WITH LEAD FLASHING**

SCALE: 1:4 AT A4



- 1. ALUMINIUM SNAP-ON COVER
- 2. PVC CO-EXTRUDED PRESSURE PLATE
- 3. STANDARD DGU 1.2 W*M²/K
- 4. PVC CO-EXTRUDED CARRIER RAIL THERMAL LINER
- 5. ALUMINIUM END CARRIER RAIL
- 6. INSULATION BOARD (BY OTHERS)

- 7 - ROOF TILES (BY OTHERS)
- 8 - ROOF BATTENS (BY OTHERS)
- 9 - CODE 4 LEAD FLASHING (BY OTHERS)
- 10 - TIMBER JOISTS AND PURLIN (BY OTHERS)

PROJECT: TECHNICAL CATALOGUE DETAIL SAFEGARDTG50	REV	DATE		DRAWN	VM
				DATE	07/2024
				DRG. No.	TG-33T