



**LONSDALEMETAL Co. LTD**

London N17 9QU

TEL: 020 8801 4221 FAX: 020 8801 1287

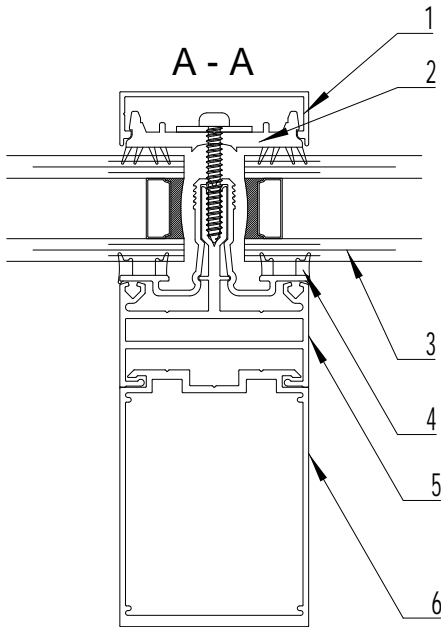
Email: info@lonsdalemetal.co.uk

www.lonsdalemetal.co.uk

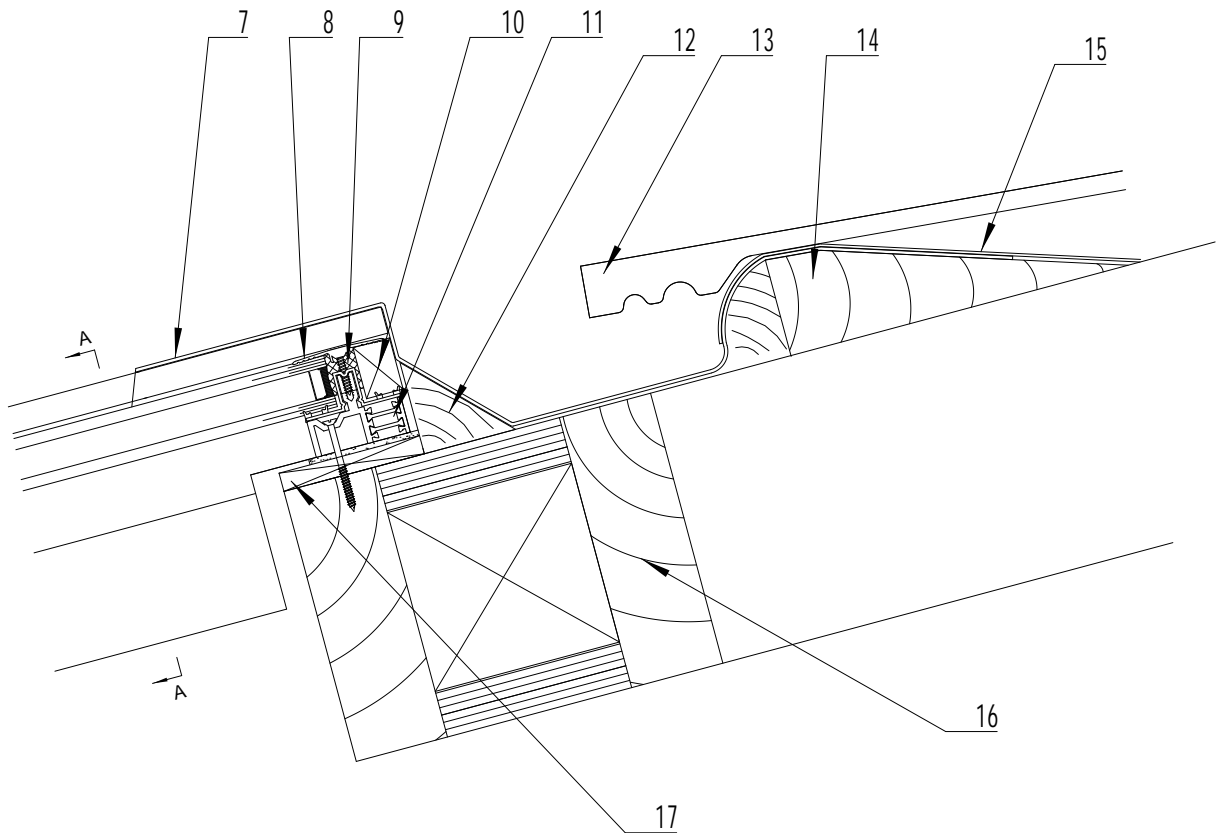
**DRAWING TITLE:**

**SAFEGARDTG50 IN-LINE ROOFLIGHTTOP  
DETAIL TO TIMBER WITH LEAD FLASHING**

SCALE: 1:4 AT A4



- 1. ALUMINIUM SNAP-ON COVER
- 2. PVC CO-EXTRUDED PRESSURE PLATE
- 3. STANDARD DGU 1.2 W\*M²/K
- 4. PVC CO-EXTRUDED CARRIER RAIL THERMAL LINER
- 5. ALUMINIUM CARRIER RAIL
- 6. ALUMINIUM BOX SECTION
- 7. CODE 4 LEAD FLASHING (BY OTHERS)
- 8. ALUMINIUM TRANSOM PRESSURE PLATE
- 9. SILICONE SEALANT
- 10. SPACER, SAME THICKNESS AS DGU. (BY OTHERS)
- 11. THERMALLY BROKEN ALUMINIUM HEAD TRANSOM POWDER COATED TO RAL 9005 MATT BLACK AS STANDARD
- 12. TIMBER FILLET (BY OTHERS)
- 13. ROOF TILES
- 14. TILING FILLET LAID TO FALL (BY OTHERS)
- 15. ROOF FELT EXTENDED ON TO LEAD FLASHING (BY OTHERS)
- 16. ROOF JOISTS (BY OTHERS)
- 17. 10mm PACKER (BY OTHERS)



<b>PROJECT:</b>  <b>TECHNICAL CATALOGUE DETAIL SAFEGARDTG50</b>	REV	DATE		DRAWN	VM
				DATE	07/2024
				DRG. No.	TG-31T