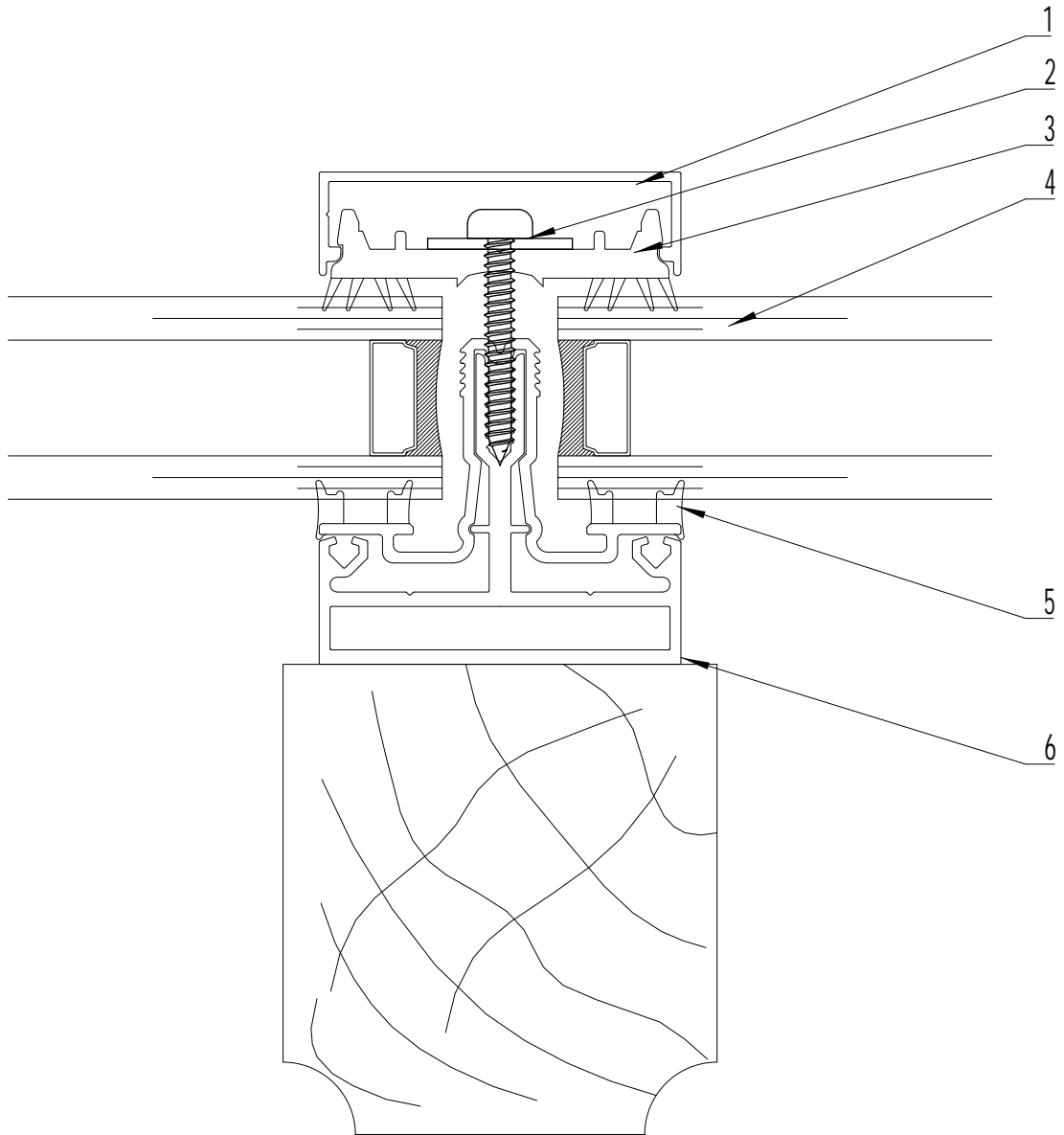




**LONSDALEMETAL Co. LTD**  
 London N17 9QU  
 TEL: 020 8801 4221 FAX: 020 8801 1287  
 Email: info@lonsdalemetal.co.uk  
 www.lonsdalemetal.co.uk

**DRAWING TITLE:**  
**SAFEGARDTG50 RAFTER GLAZING BAR**

SCALE: 1:1 AT A4



- 1 - Aluminium snap-on cover
- 2 - Stainless steel self-tapping screw
- 3 - Black Co-extruded PVC pressure plate
- 4 - 28mm Insulated glazing unit
- 5 - Black PVC Co-extruded thermal liner
- 6 - Aluminium rafter carrier rail

<b>PROJECT:</b>  <b>TECHNICAL CATALOGUE DETAIL</b> <b>SAFEGARDTG50</b>	REV	DATE		DRAWN	VM
				DATE	07/2024
				DRG. No.	TG-WFDG