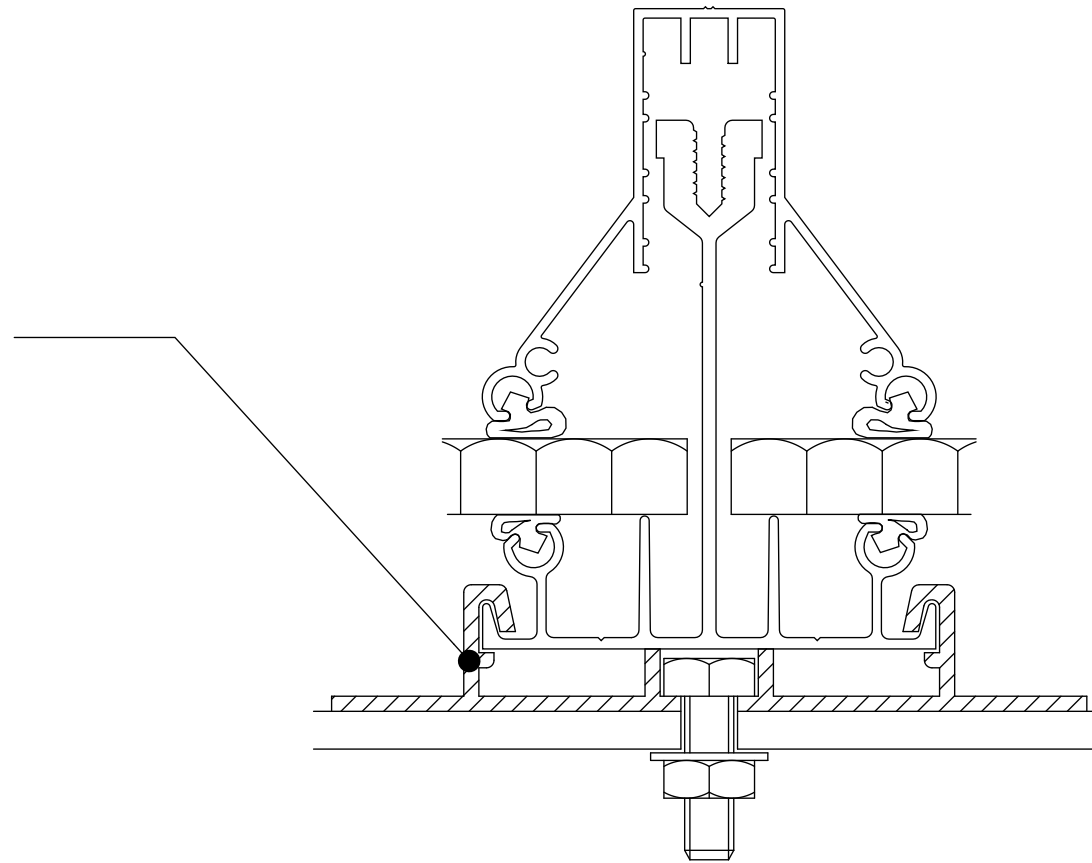


METAL FIXING SHOE

SCALE 1:1 ON A4

WHEN FIXING TO RHS
STEEL, SUITABLE TEK
SCREWS MAY BE USED.



FOR PLM20 ONLY
SINGLE HOLE M8x25mm
METAL FIXING SHOE.