

LONSDALE METAL Co. LTD

London N17 9QU

TEL: 020 8801 4221 FAX: 020 8801 1287

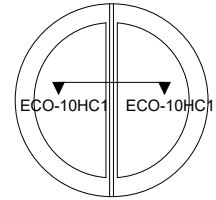
Email: info@lonsdalemetal.co.uk

www.lonsdalemetal.co.uk

DRAWING TITLE:

**VERTICAL SECTION THROUGH
CIRCULAR ROOFLIGHT INTERMEDIATE
BAR**

SCALE: 1:2 AT A4

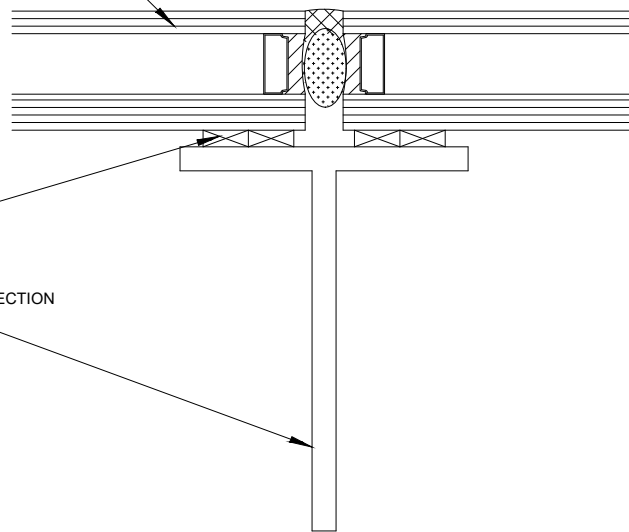


31.5MM DGU:
CENTRE PANE U VALUE 1.2 W/m2K

40mm BLACK BORDER 40mm BLACK BORDER

5MM X 24MM GLAZING TAPE

3"X4"X1/4" ALUMINIUM 'T' SECTION



PROJECT:

TECHNICAL CATALOGUE DETAIL
ECOGARD ROOFLIGHT

REV	DATE	

DRAWN VM

DATE 05/2019

DRG. No. ECO-A10HC1