

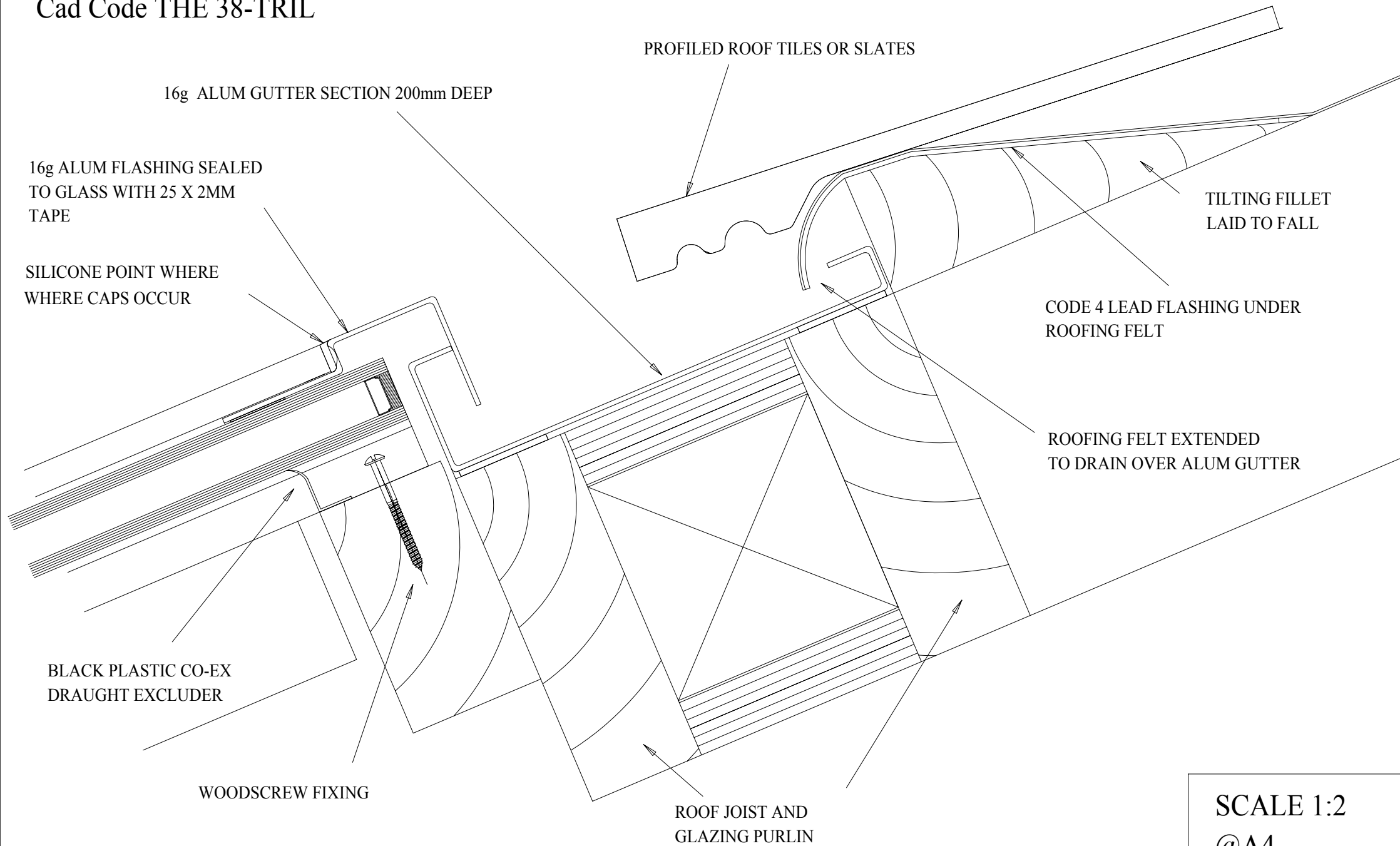
Thermgard In-Line Roof Glazing

Top detail into tile/slate roof

Cad Code THE 38-TRIL

NOTE: MINIMUM PITCH OF 20

REFER TO LONSDALE TECHNICAL DEP'T
FOR PITCHES BELOW 20

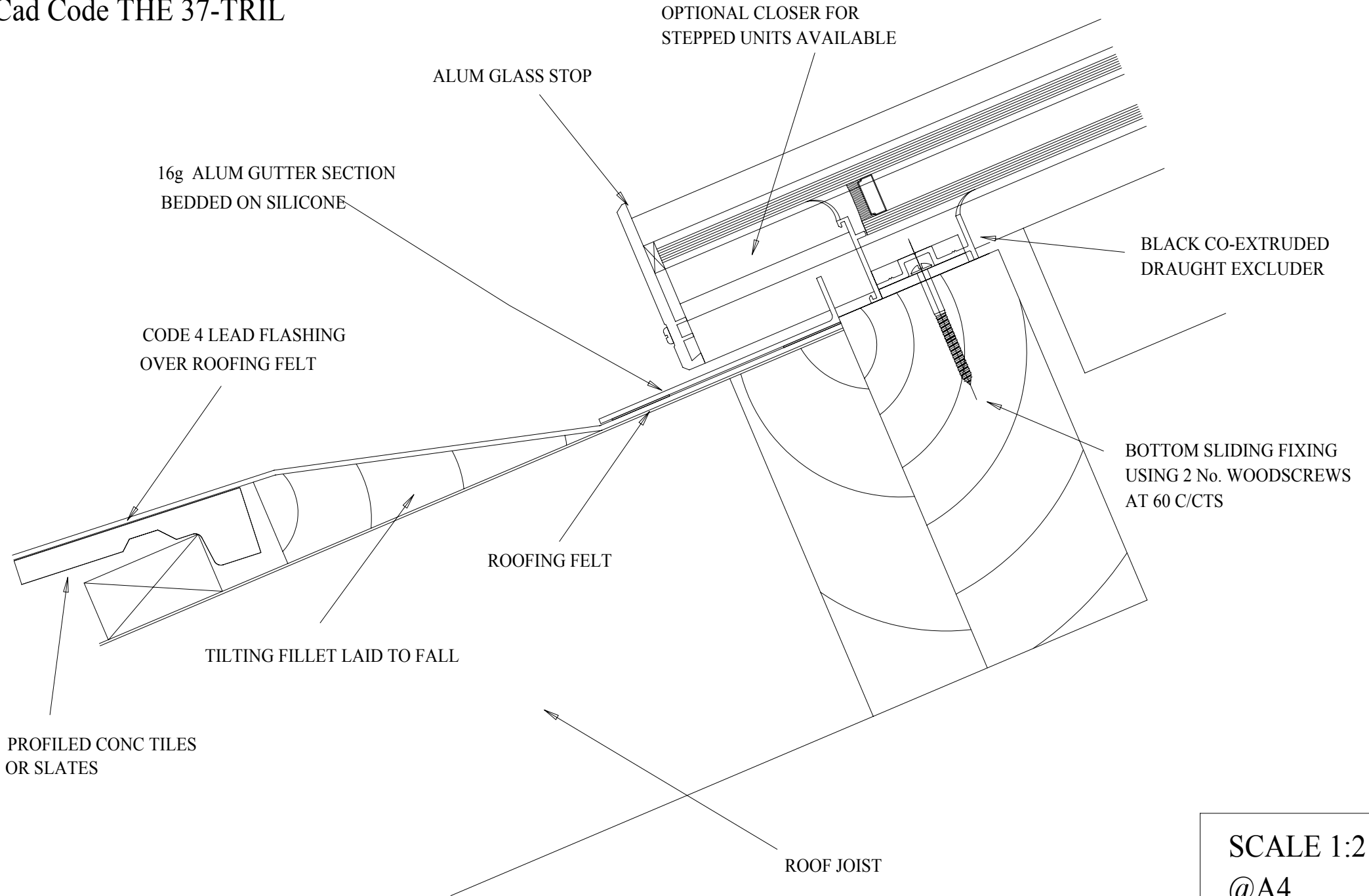


SCALE 1:2

@A4

Thermgard In-Line Roof Glazing
Bottom detail into tile/slate roof
Cad Code THE 37-TRIL

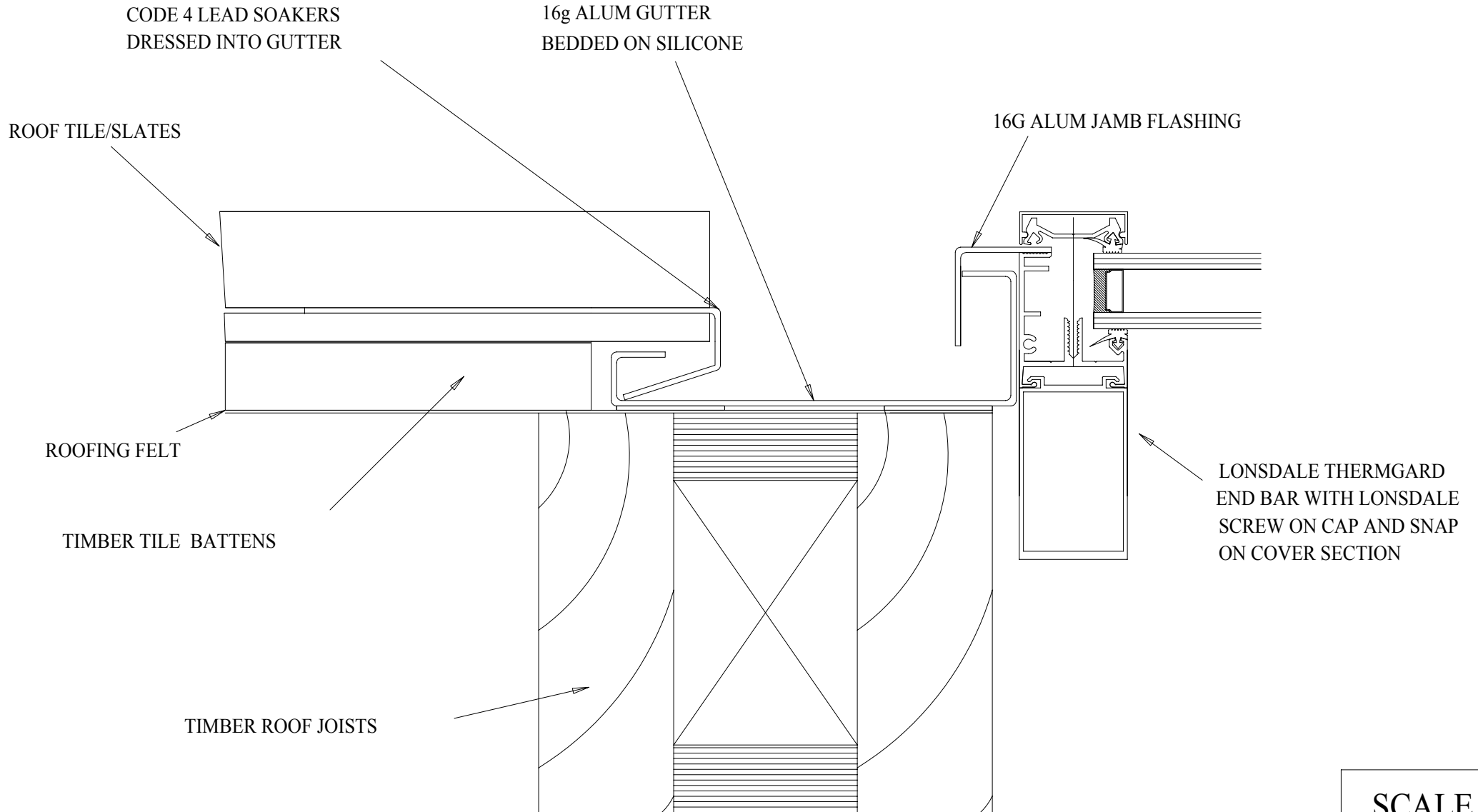
NOTE: MINIMUM PITCH OF 20
REFER TO LONSDALE TECHNICAL DEPT
FOR PITCHES BELOW 20



SCALE 1:2
@A4

Thermgard In-Line Roof Glazing
Jamb detail into tile/slate roof
Cad Code THE 39-TRIL

NOTE: MINIMUM PITCH OF 20
REFER TO LONSDALE TECHNICAL DEP'T
FOR PITCHES BELOW 20

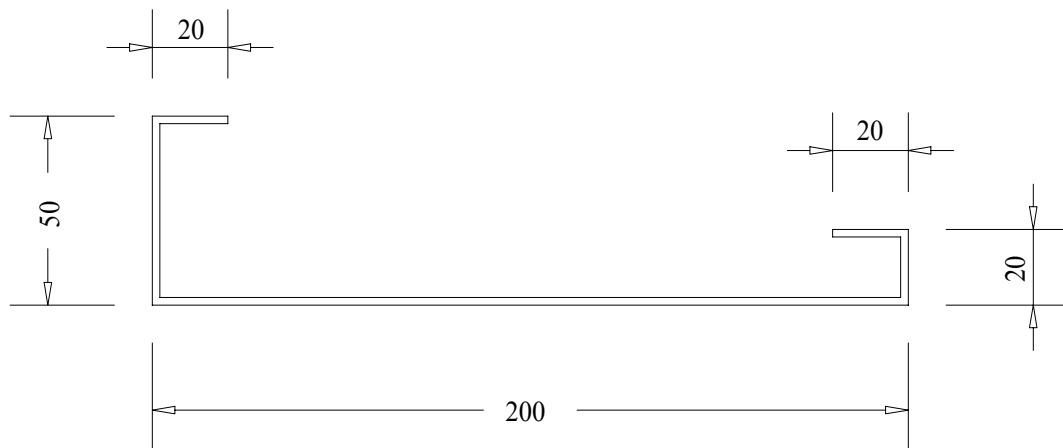


SCALE 1:2
@A4

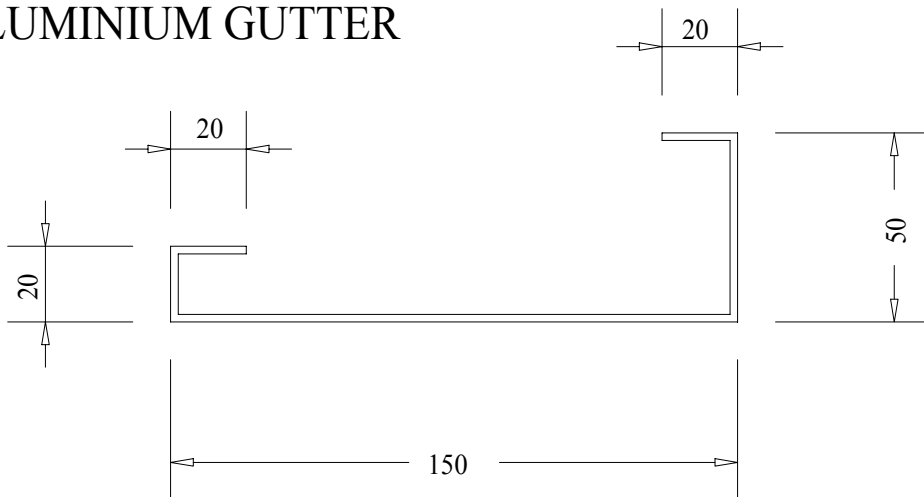
IN-LINE ROOF GLAZING GUTTER PROFILES

GUTTER SECTIONS OUT OF 16g ALUMINIUM

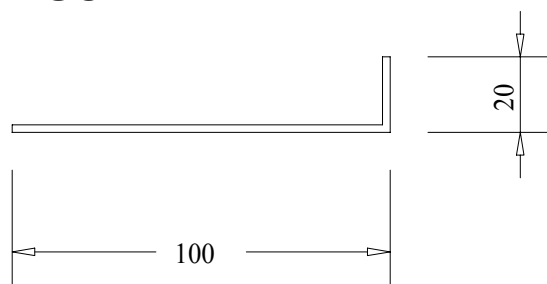
TOP ALUMINIUM GUTTER



JAMB ALUMINIUM GUTTER



BOTTOM ALUMINIUM GUTTER



SCALE 1:2
@A4

IN-LINE ROOF GLAZING GUTTER LAYOUT

WELDED CORNERS

100M WIDE JOINT STRAPS
UNDER PROFILES

